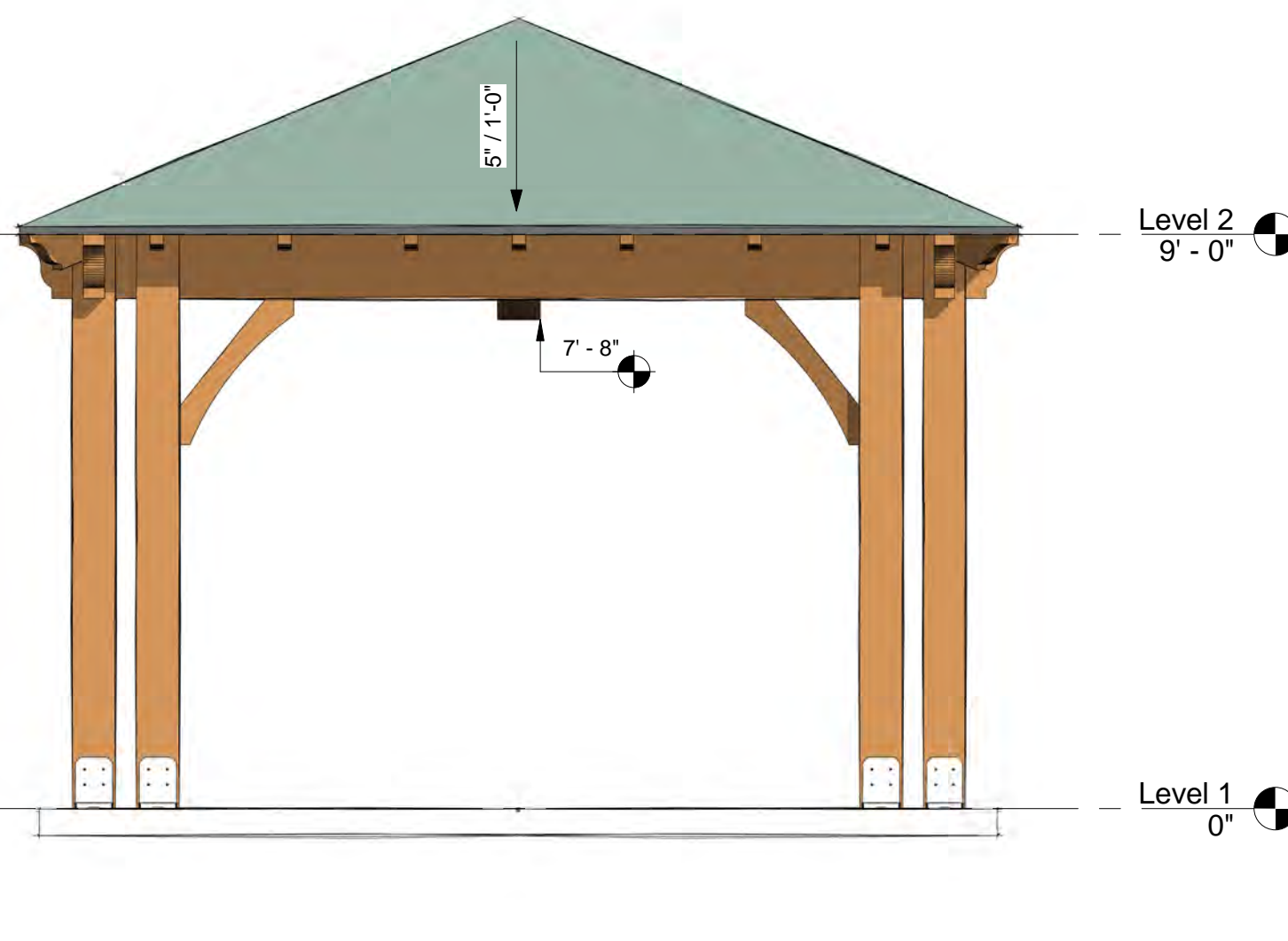
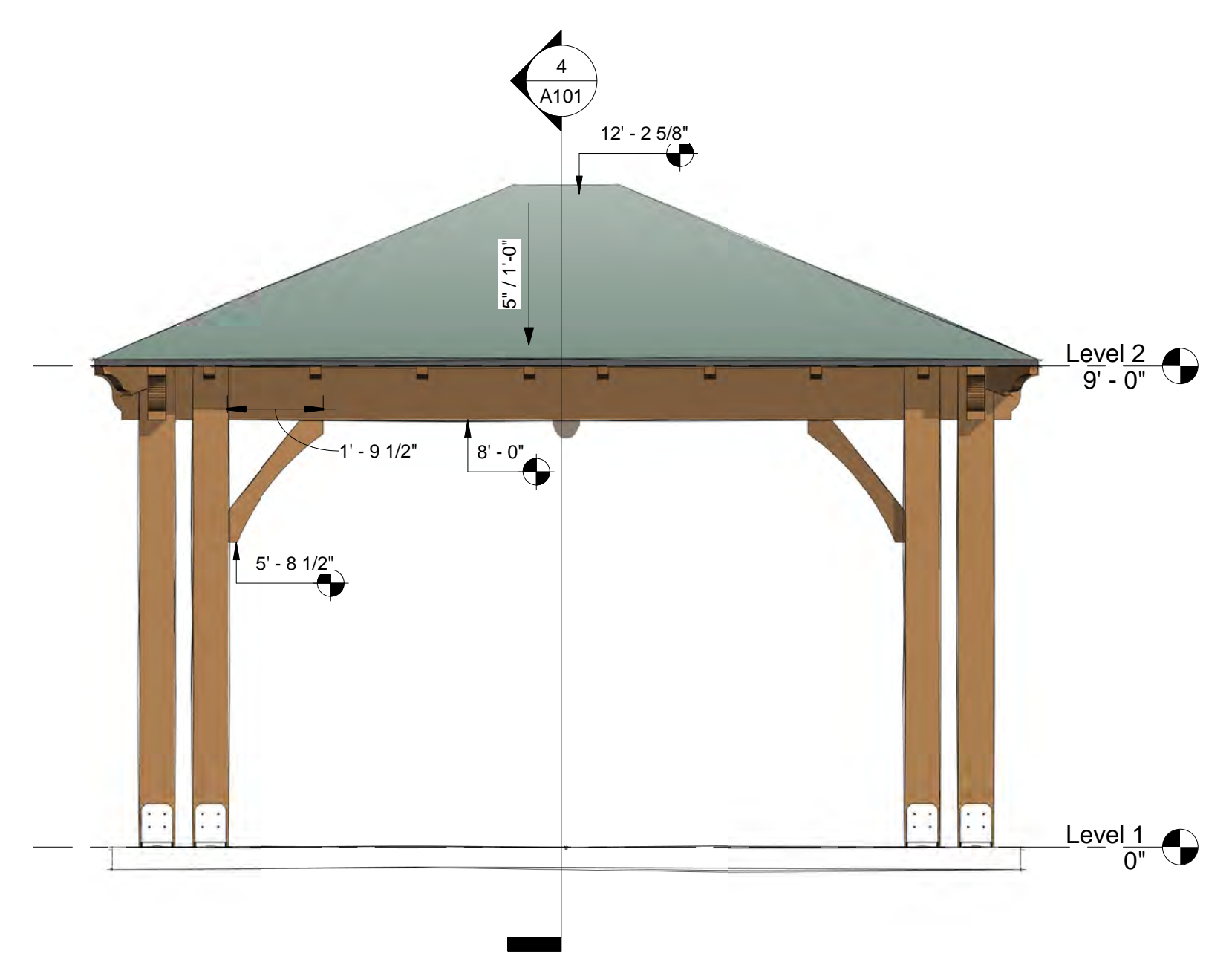


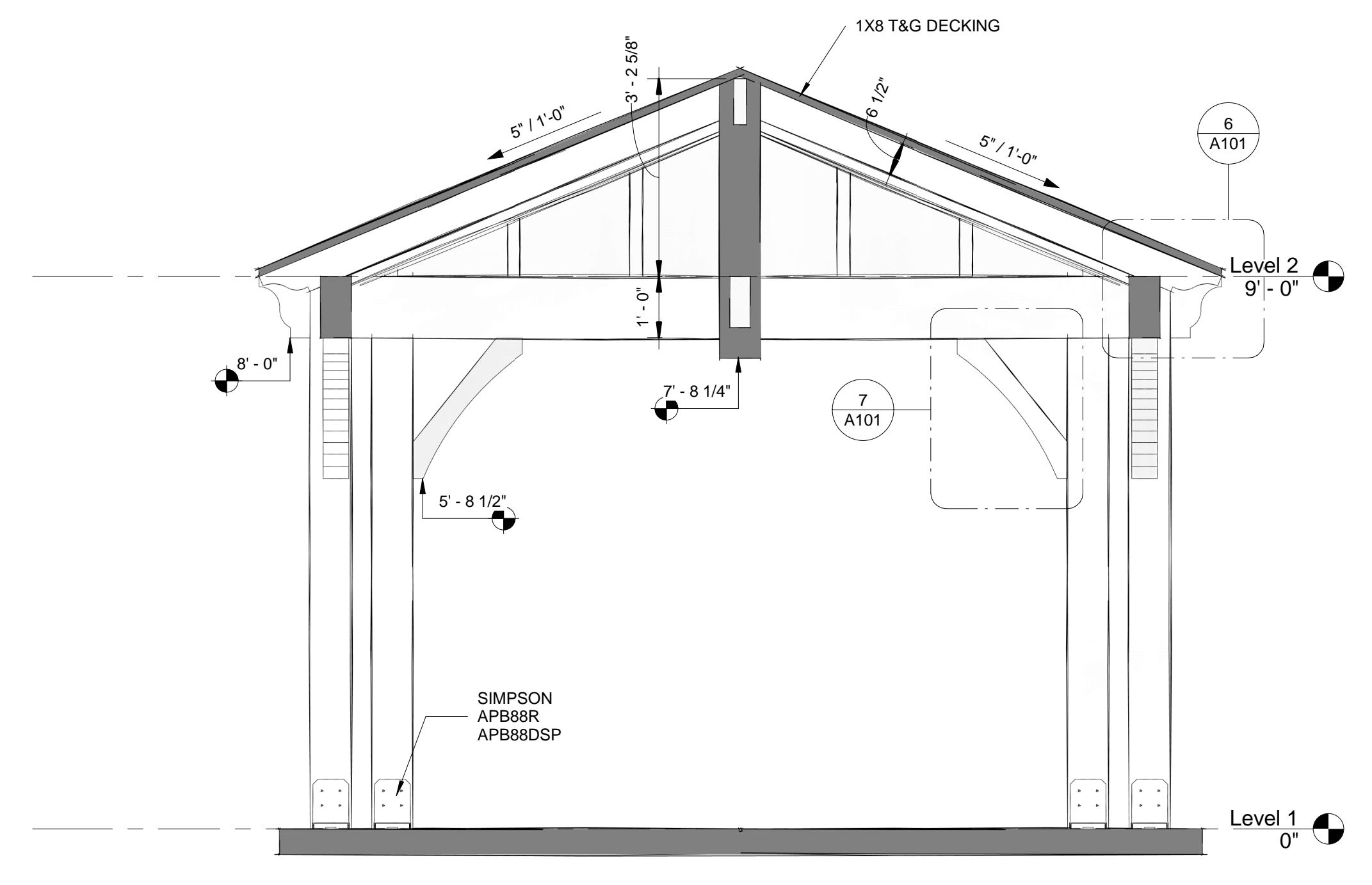
5 REND 1
12" = 1'-0"

1 Level 1
3/8" = 1'-0"

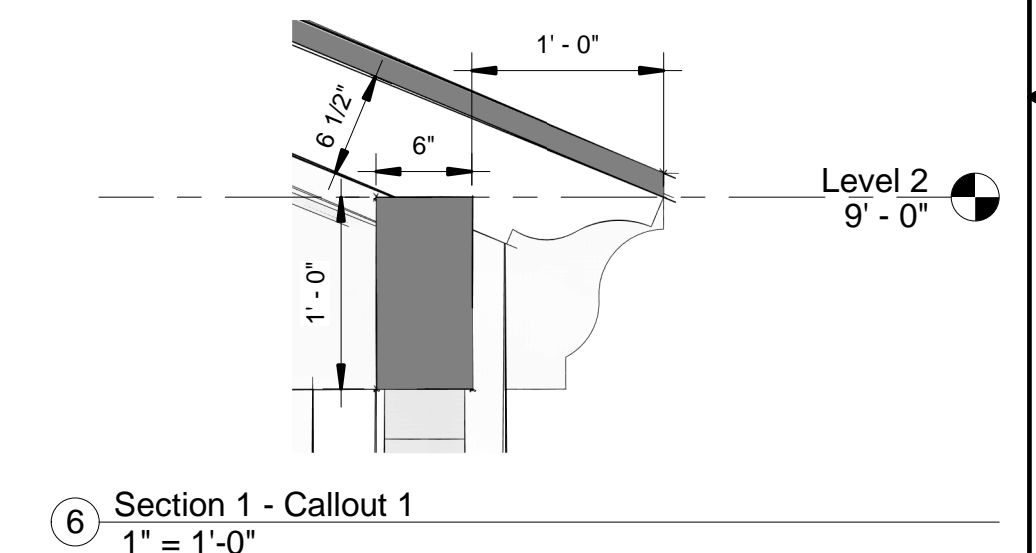


2 FRONT
3/8" = 1'-0"

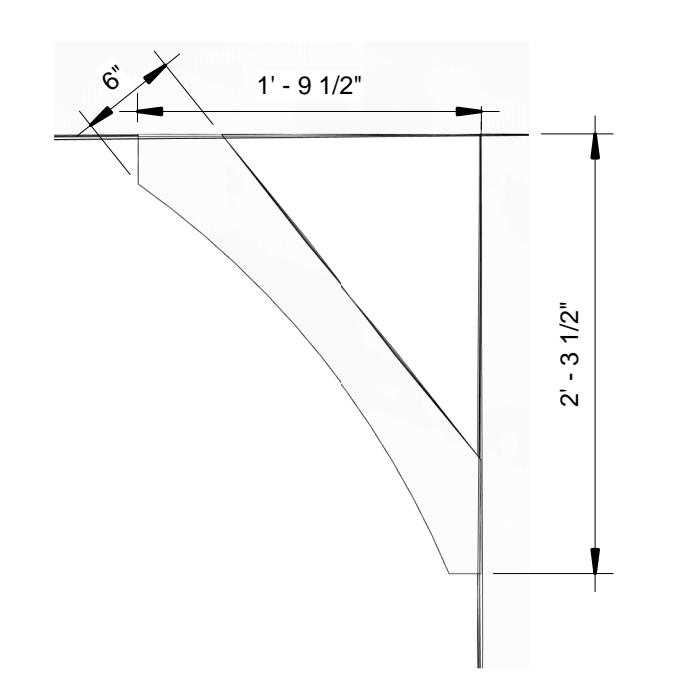
3 SIDE
3/8" = 1'-0"



4 Section 1
1/2" = 1'-0"



6 Section 1 - Callout 1
1" = 1'-0"



7 Section 1 - Callout 2
1" = 1'-0"



www.outkastdesigns.com

14' X 16'



MEMBER
A I B D
AMERICAN INSTITUTE OF
BUILDING DESIGN

No.	Description	Date

PERGOLA

Project Number	9688-24
Date	1-23-24
Drawn By	SL
Outkast Designs Po Box 30 Colusa, CA 95932 scott@outkastdesigns.com	

A101

Scale As indicated

1/24/2024 3:15:33 PM



14' X 16'



www.outkastdesigns.com



MEMBER
A I B D
AMERICAN INSTITUTE OF
BUILDING DESIGN

No.	Description	Date

SKETCH

Project Number	9688-24
Date	1-23-24
Drawn By	SL
Outkast Designs Po Box 30 Colusa, CA 95932 scott@outkastdesigns.com	

A102

Scale

1/24/2024 3:15:37 PM

A102
SKETCH

14' X 16'



14' X 16'



www.outkastdesigns.com



MEMBER
A I B D
AMERICAN INSTITUTE of
BUILDING DESIGN

No.	Description	Date

SKETCH

Project Number	9688-24
Date	1-23-24
Drawn By	SL
OutKast Designs Po Box 30 Colusa, CA 95932 scott@outkastdesigns.com	

A103

Scale



A104

SKETCH

14' X 16'



www.outkastdesigns.com



14' X 16'



MEMBER
**A I
B D**
AMERICAN INSTITUTE OF
BUILDING DESIGN

No.	Description	Date

SKETCH

Project Number	9688-24
Date	1-23-24
Drawn By	SL
OutKast Designs Po Box 30 Colusa, CA 95932 scott@outkastdesigns.com	

A104

Scale

1/24/2024 3:15:44 PM