

# ISOLATED FOOTING CALCULATIONS

FTG-I

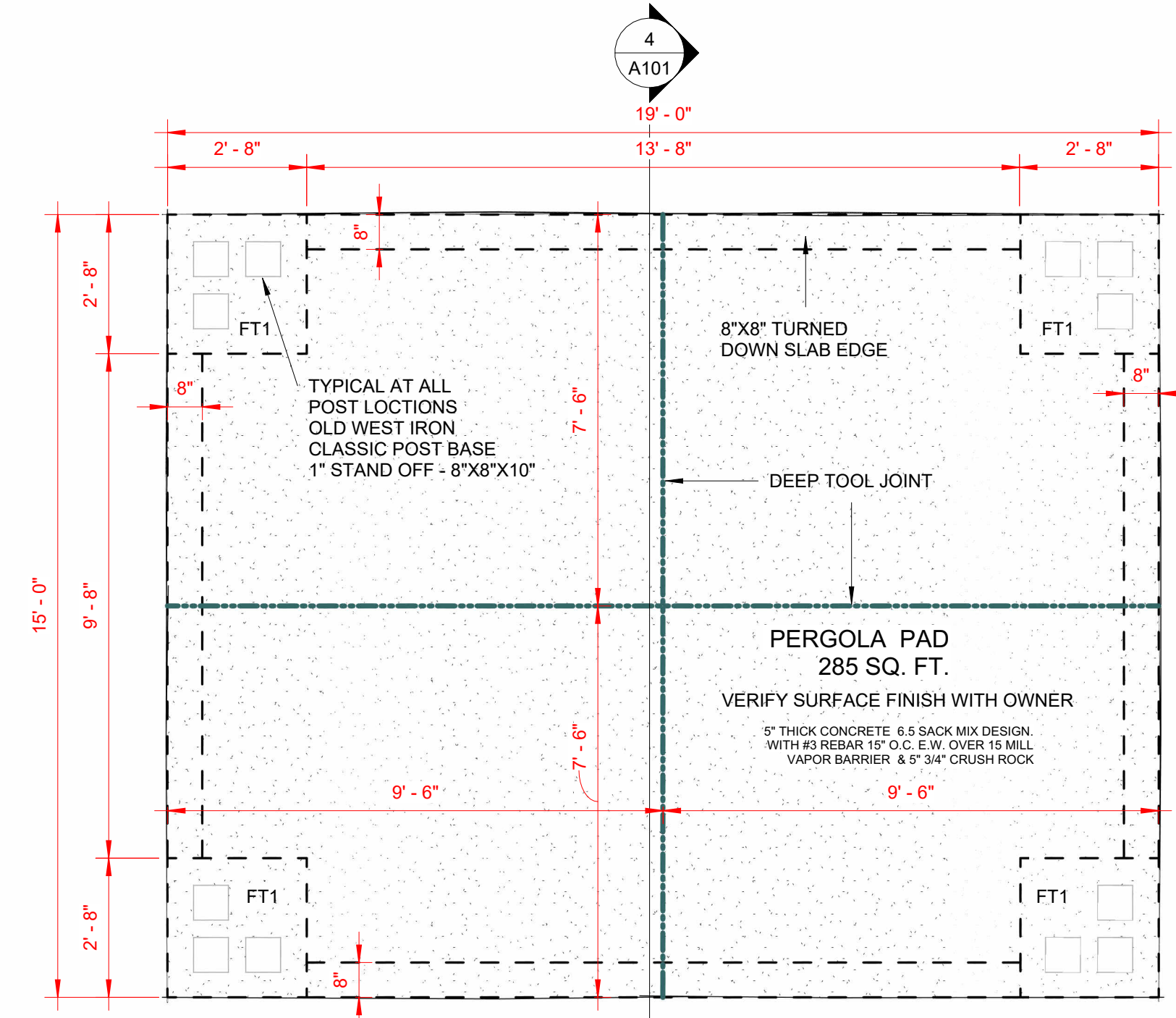
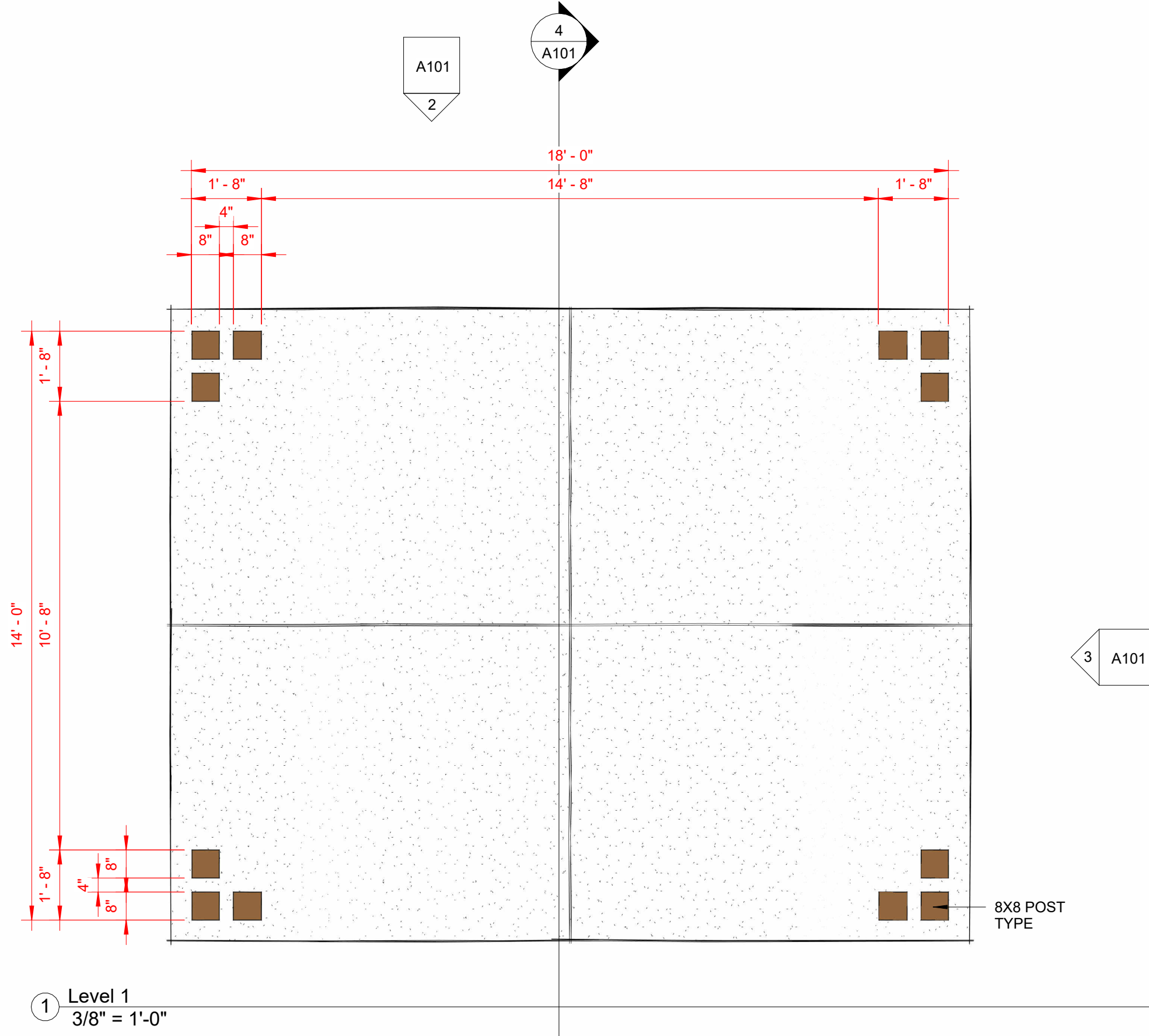
32" SQ X 18" DP W/5 - #5 EACH WAY

P = 7000 #  
Xp = 1000 (PSF)

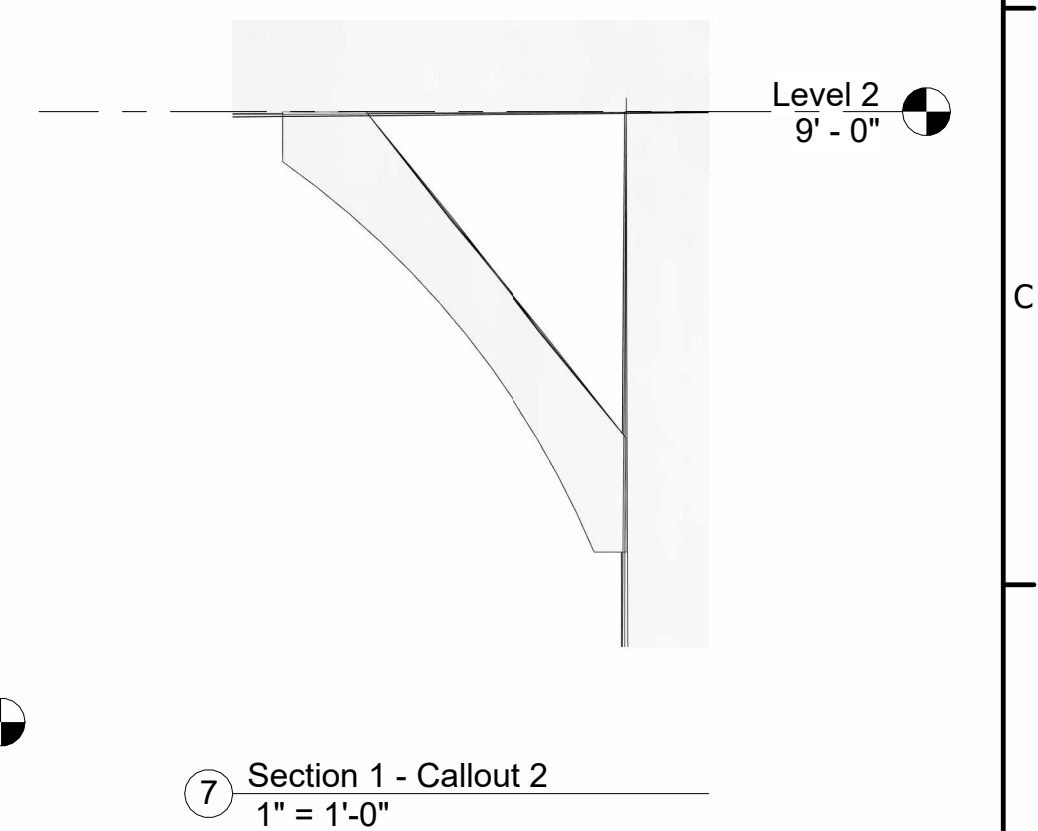
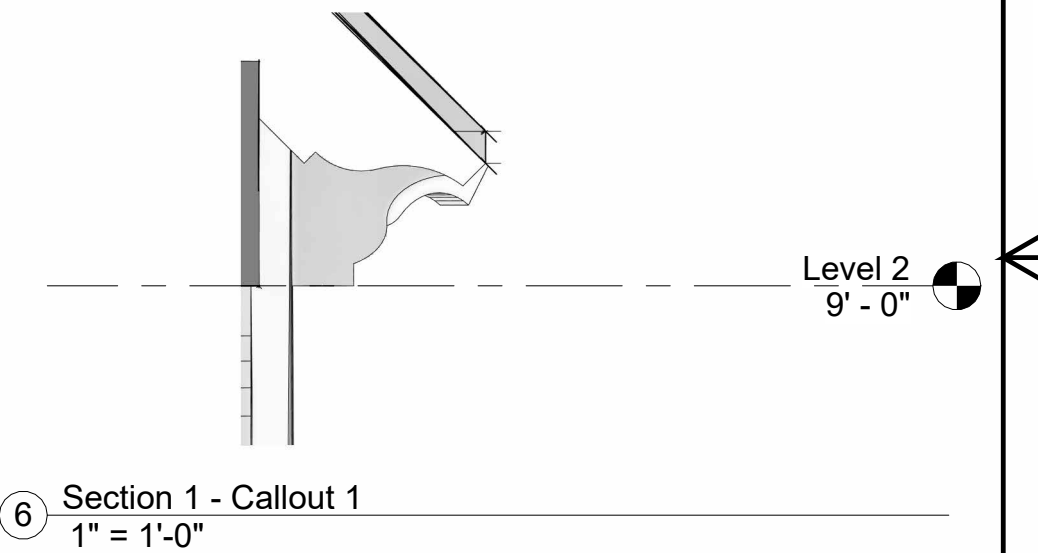
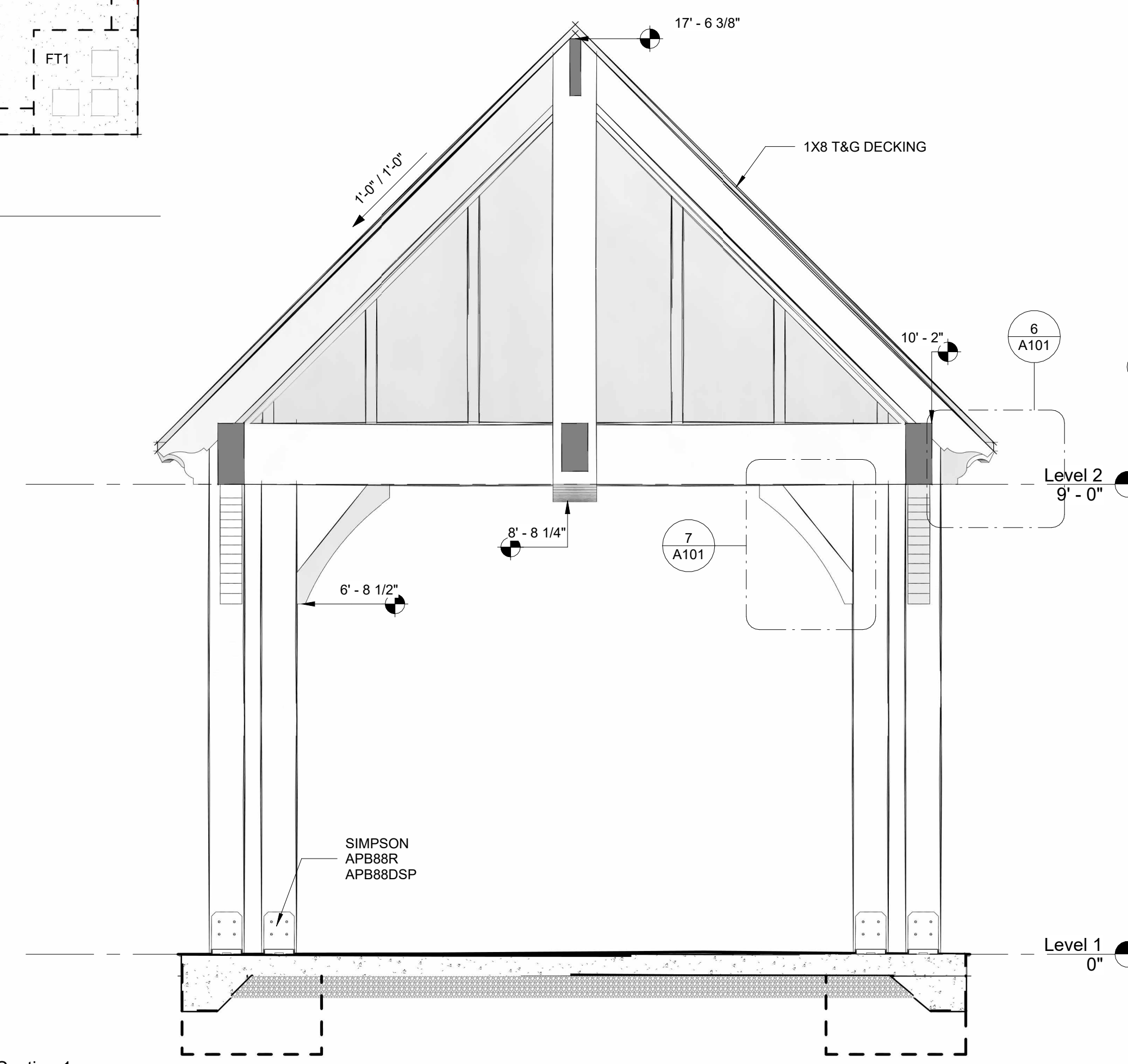
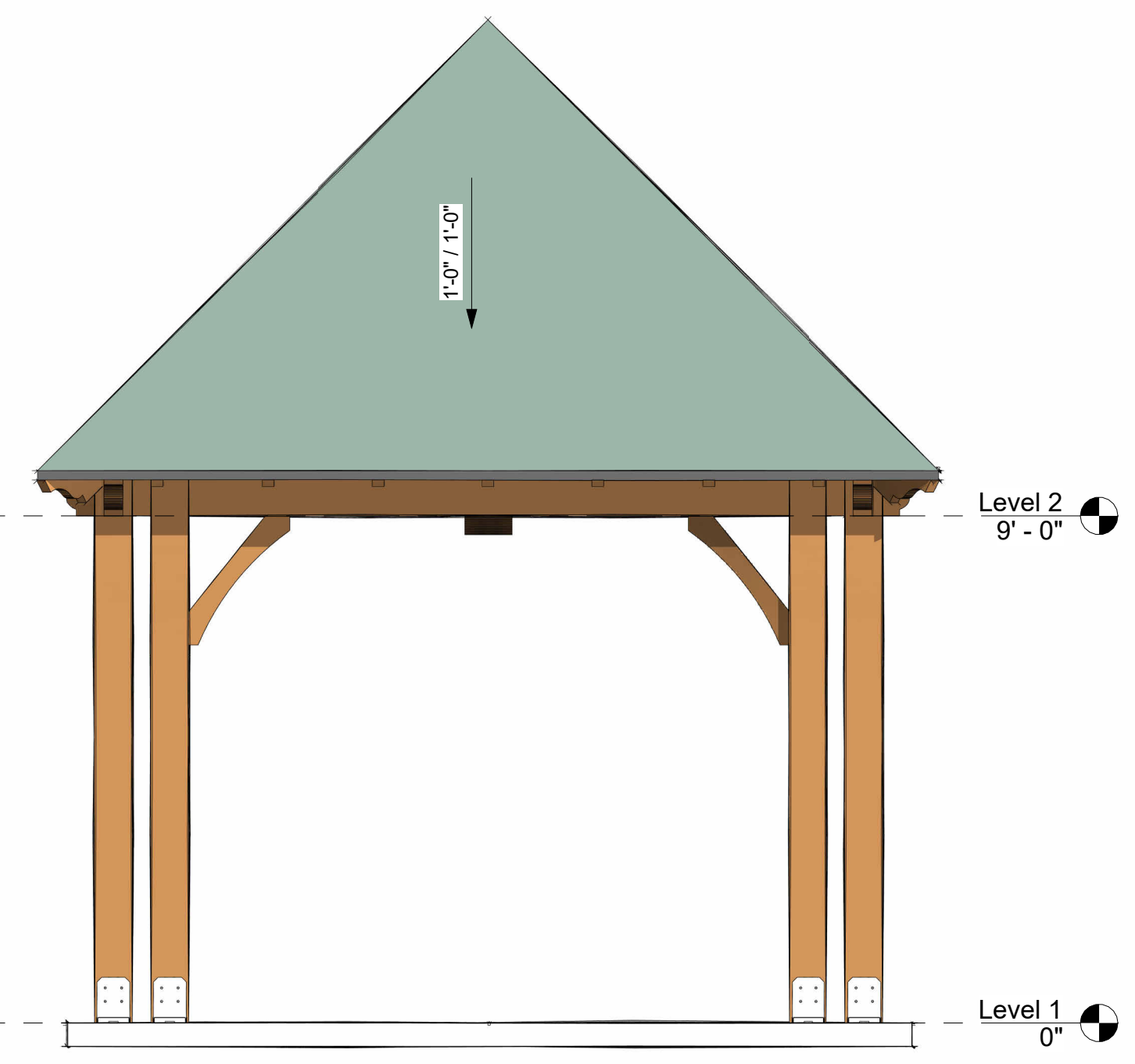
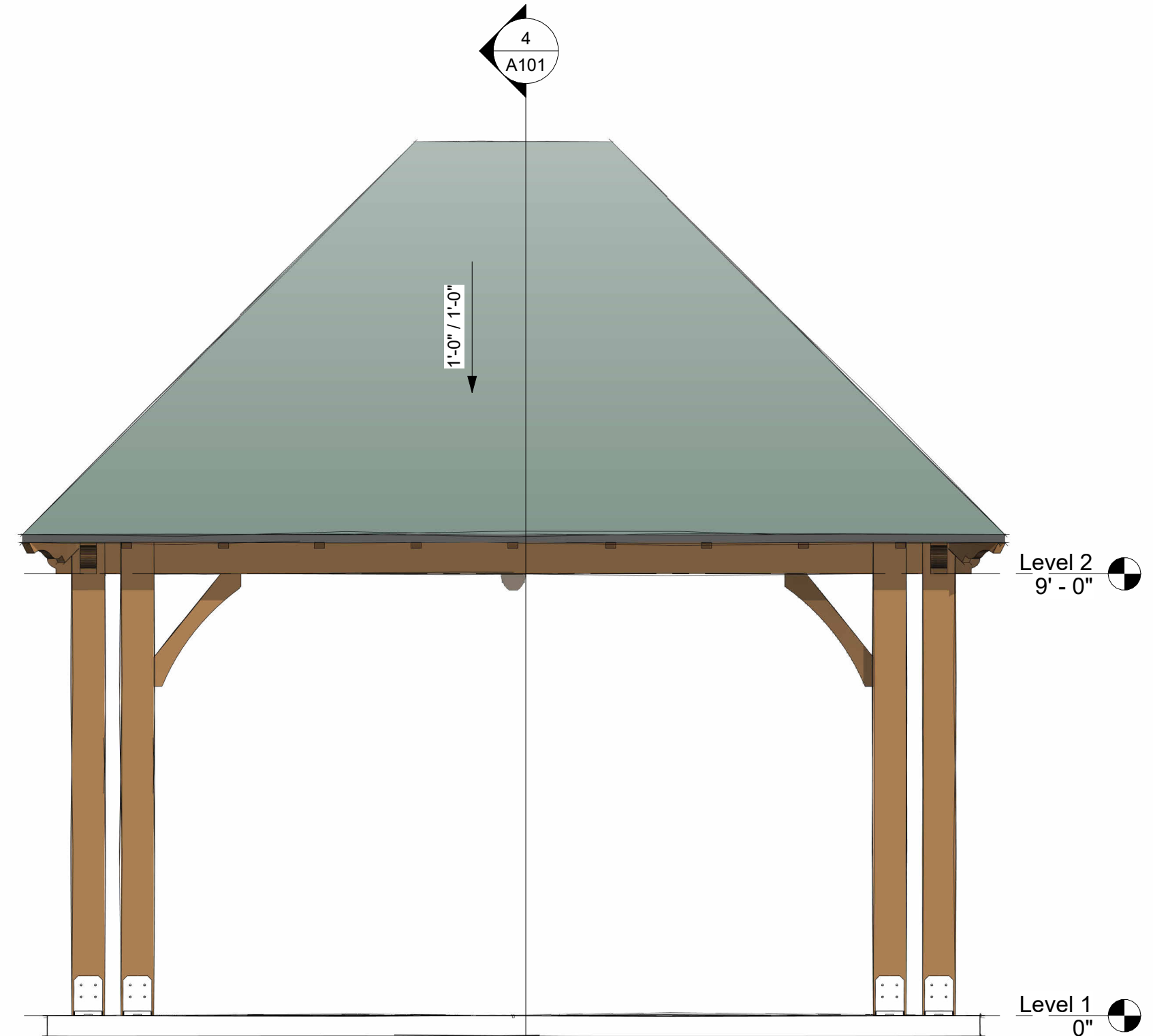
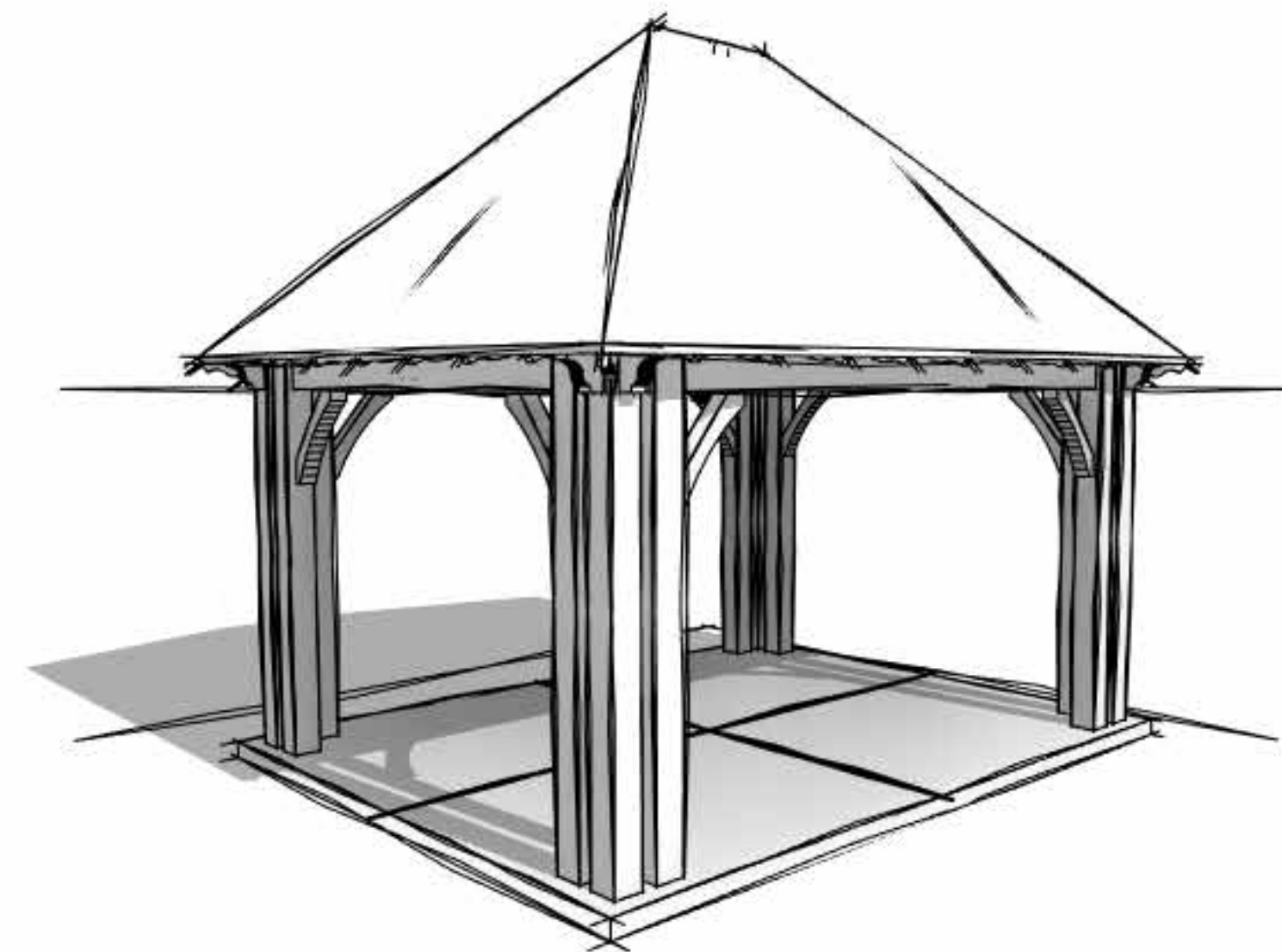
$$\sqrt{\frac{7000}{1000}} = 2.65 \text{ sq. ft.} \times (12) = 32.00 \text{ in}^2$$

REBAR  
32" - 6"  
6

BASED ON REBAR SPACING @ ± 6" O.C. W/ 3" EDGE CLEARANCE



8 FOUNDATION PLAN  
3/8" = 1'-0"



www.outkastdesigns.com

## 14' X 18'



MEMBER  
**A I B D**  
AMERICAN INSTITUTE OF BUILDING DESIGN

No.	Description	Date

## PERGOLA

Project Number	9690-24
Date	2-17-24
Drawn By	SL
Outkast Designs   Po Box 30 Colusa, CA 95932   scott@outkastdesigns.com	

# A101

Scale As indicated

4/5/2024 10:51:26 AM