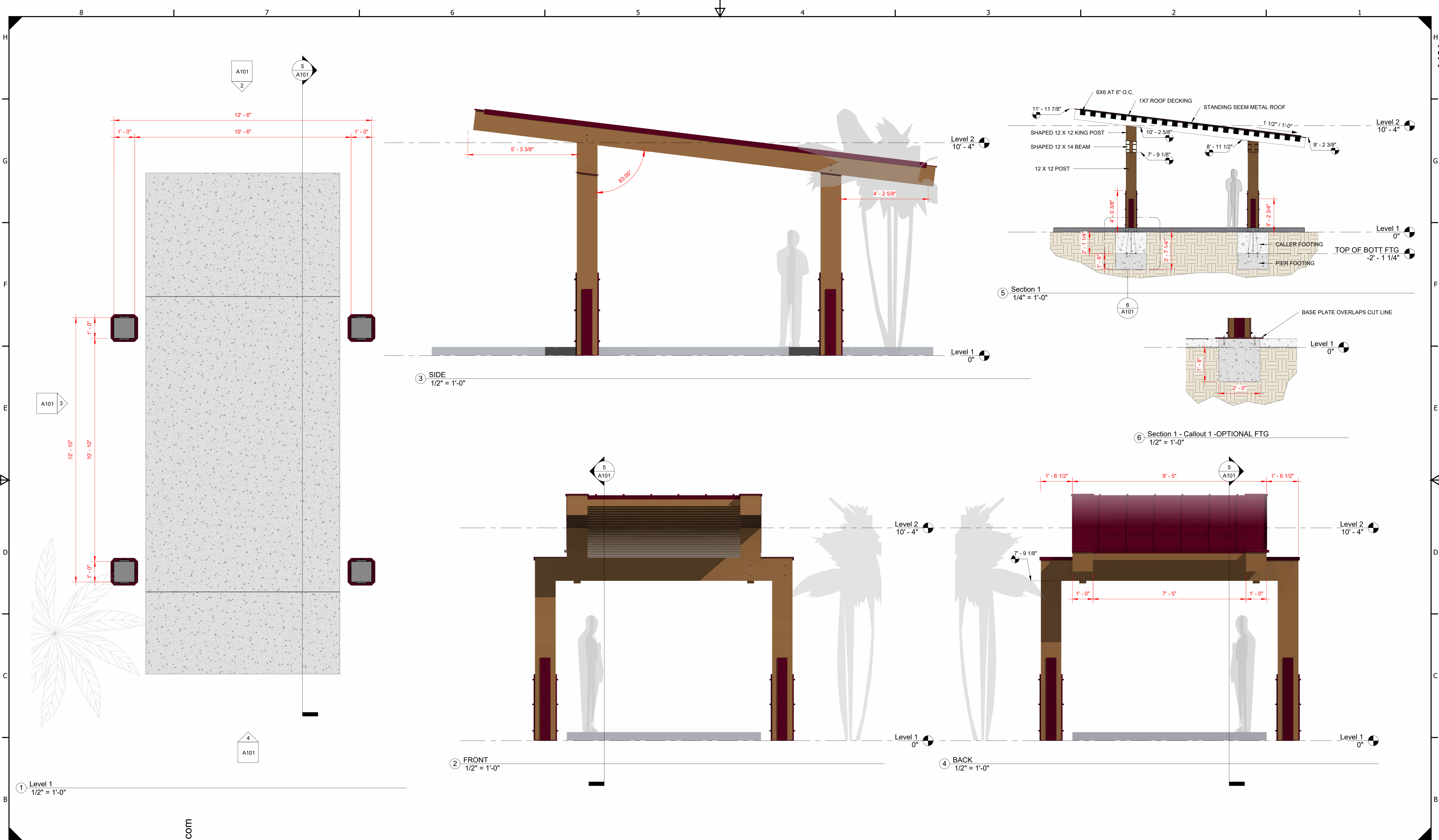




Hippie Bliss



www.outkastdesigns.com



Hippie Bliss



MEMBER
A I B D
AMERICAN INSTITUTE of BUILDING DESIGN

No.	Description	Date

FLOOR PLAN-ELEVATION-SECTION

Project Number	9704-24
Date	5/16/24
Drawn By	SL
OutKast Designs Po Box 30 Colusa, CA 95932 scott@outkastdesigns.com	

A101

Scale As indicated



A102

SKETCH 1

Hippie Bliss

6/7/2024 10:22:20 AM



www.outkastdesigns.com



Hippie Bliss



MEMBER
A I B D
 AMERICAN INSTITUTE of
 BUILDING DESIGN

No.	Description	Date

SKETCH 1

Project Number	9704-24
Date	5/16/24
Drawn By	SL
OutKast Designs Po Box 30 Colusa, CA 95932 scott@outkastdesigns.com	

A102

Scale

8

7

6

5

4

3

2

1

H
G
F
E
D
C
B
A

H
G
F
E
D
C
B
A



A103
SKETCH 2
Hippie Bliss



www.outkastdesigns.com



Hippie Bliss



MEMBER
A I
B D
AMERICAN INSTITUTE OF
BUILDING DESIGN

No.	Description	Date

SKETCH 2

Project Number	9704-24
Date	5/16/24
Drawn By	SL
OutKast Designs Po Box 30 Colusa, CA 95932 scott@outkastdesigns.com	

A103

Scale

6/17/2024 10:22:20 AM



A104
SKETCH 3
Hippie Bliss
6/7/2024 10:22:20 AM



www.outkastdesigns.com



Hippie Bliss



MEMBER
A I
B D
AMERICAN INSTITUTE of
BUILDING DESIGN

No.	Description	Date

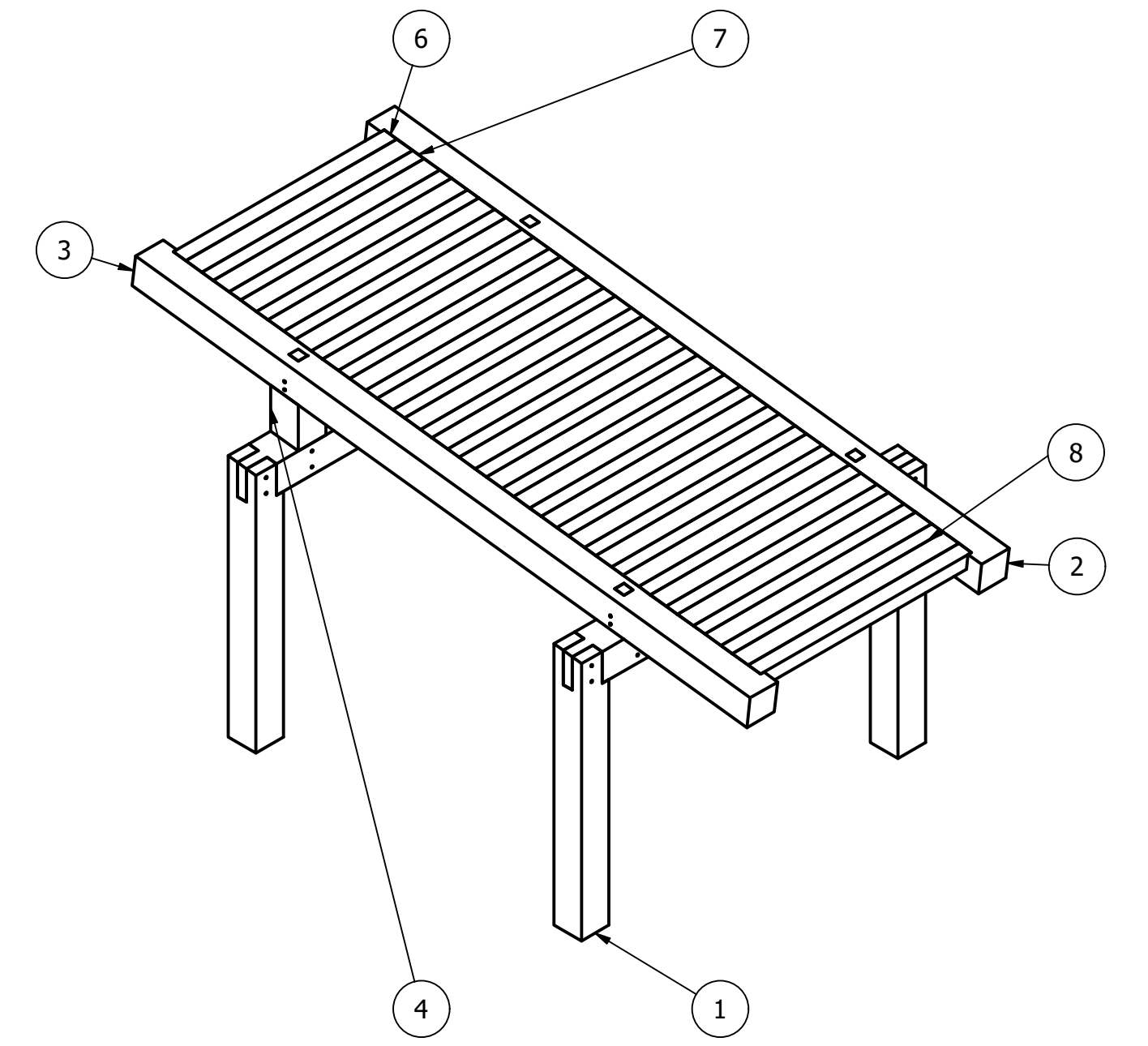
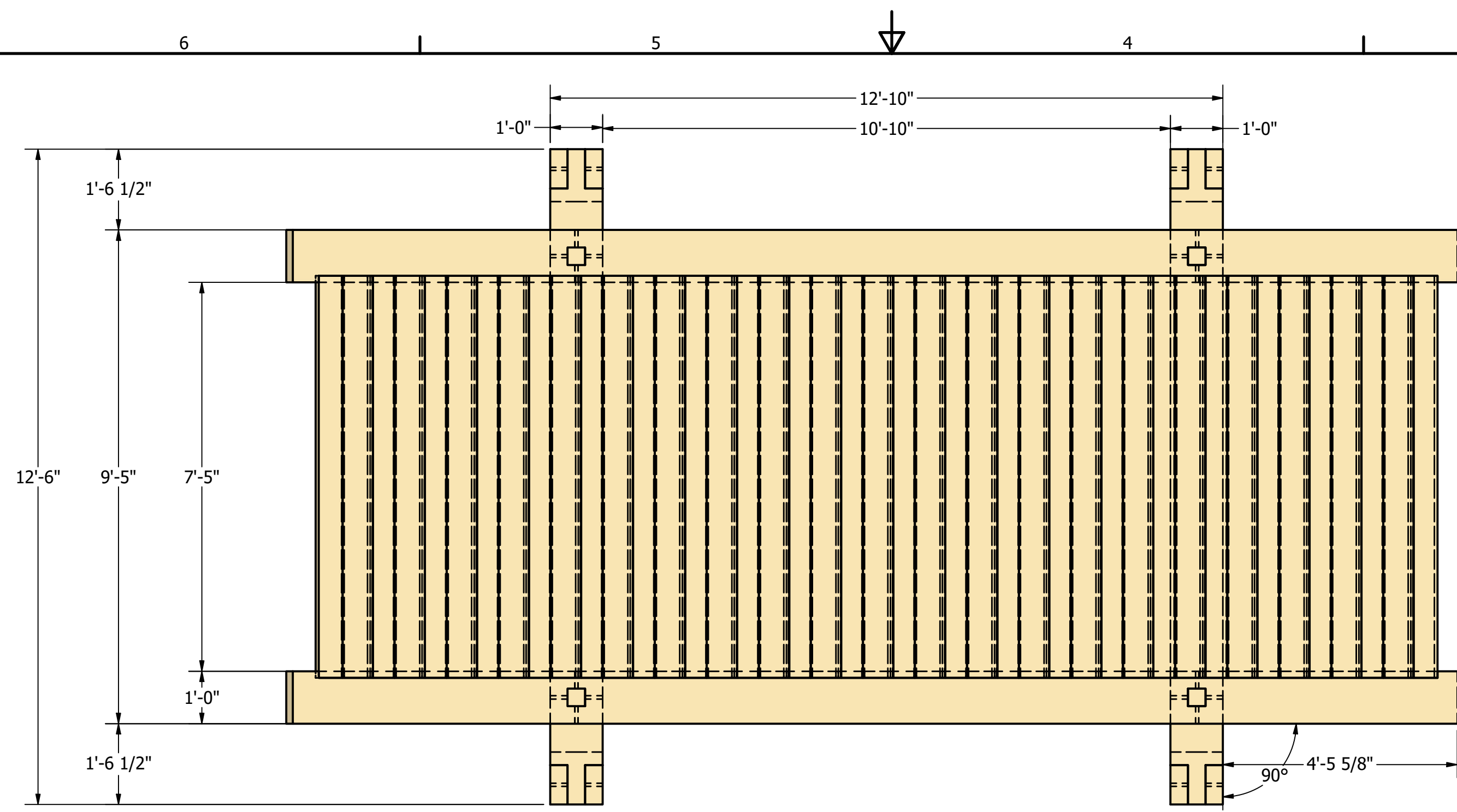
SKETCH 3

Project Number	9704-24
Date	5/16/24
Drawn By	SL
OutKast Designs Po Box 30 Colusa, CA 95932 scott@outkastdesigns.com	

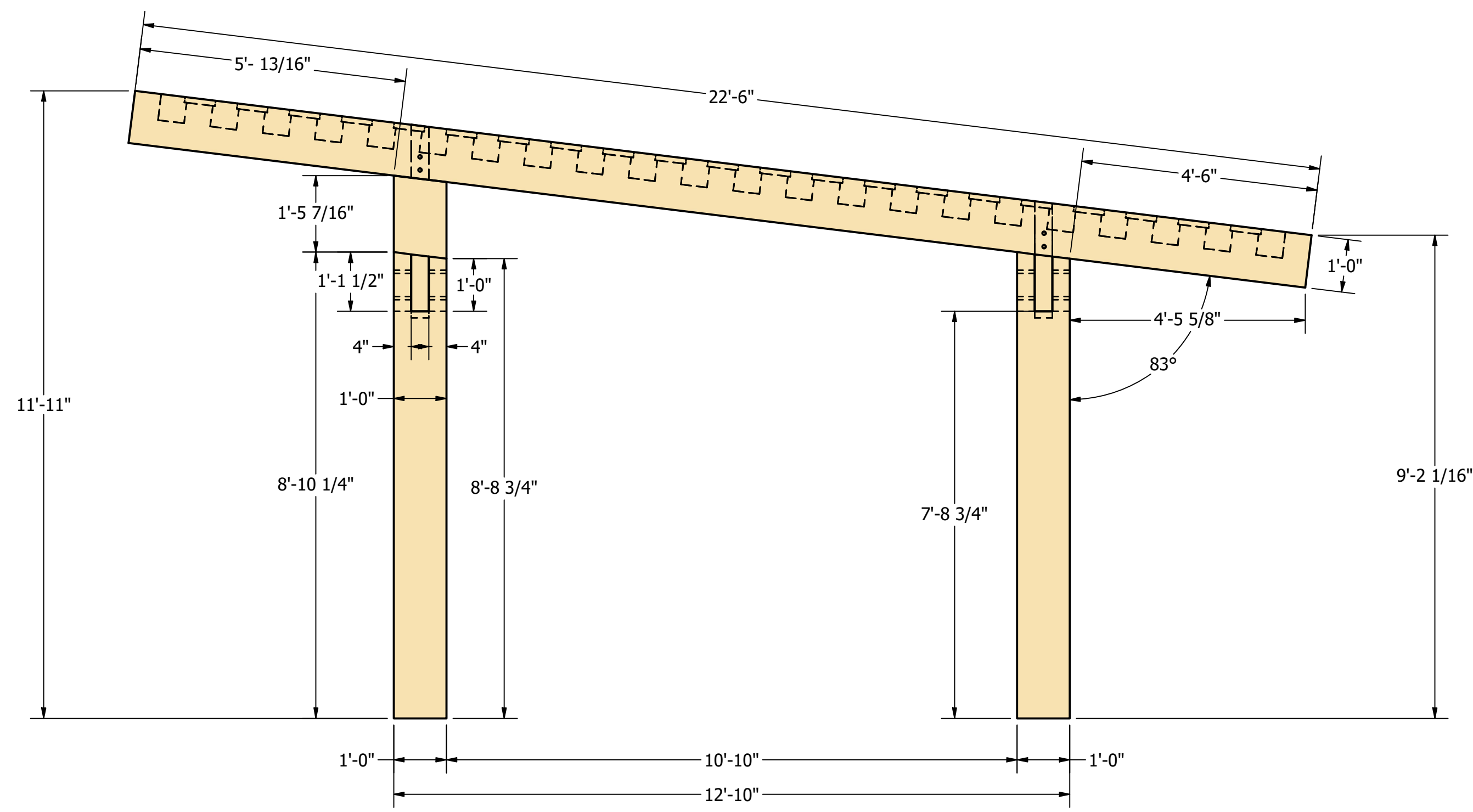
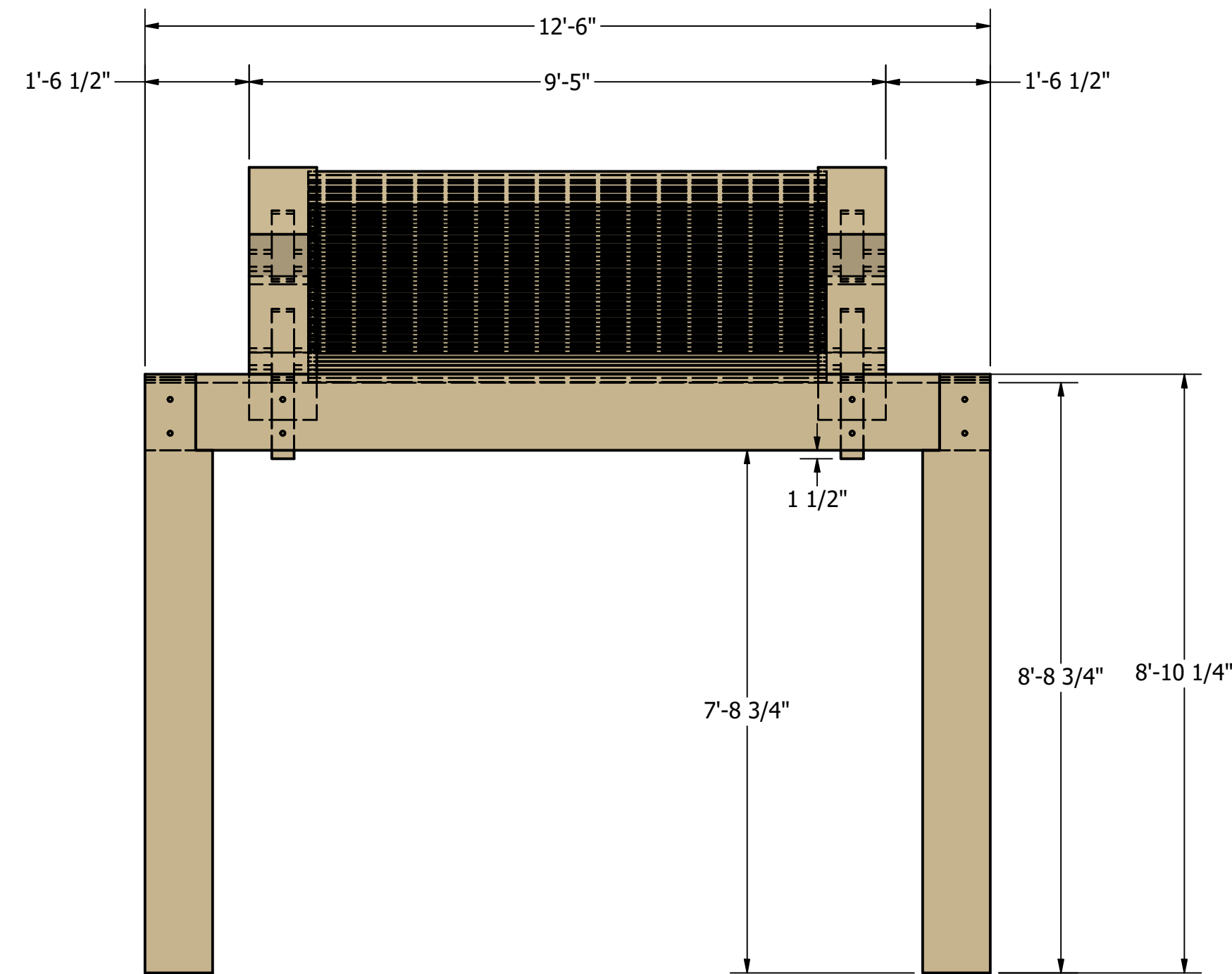
A104

Scale

8 7 6 5 4 3 2 1

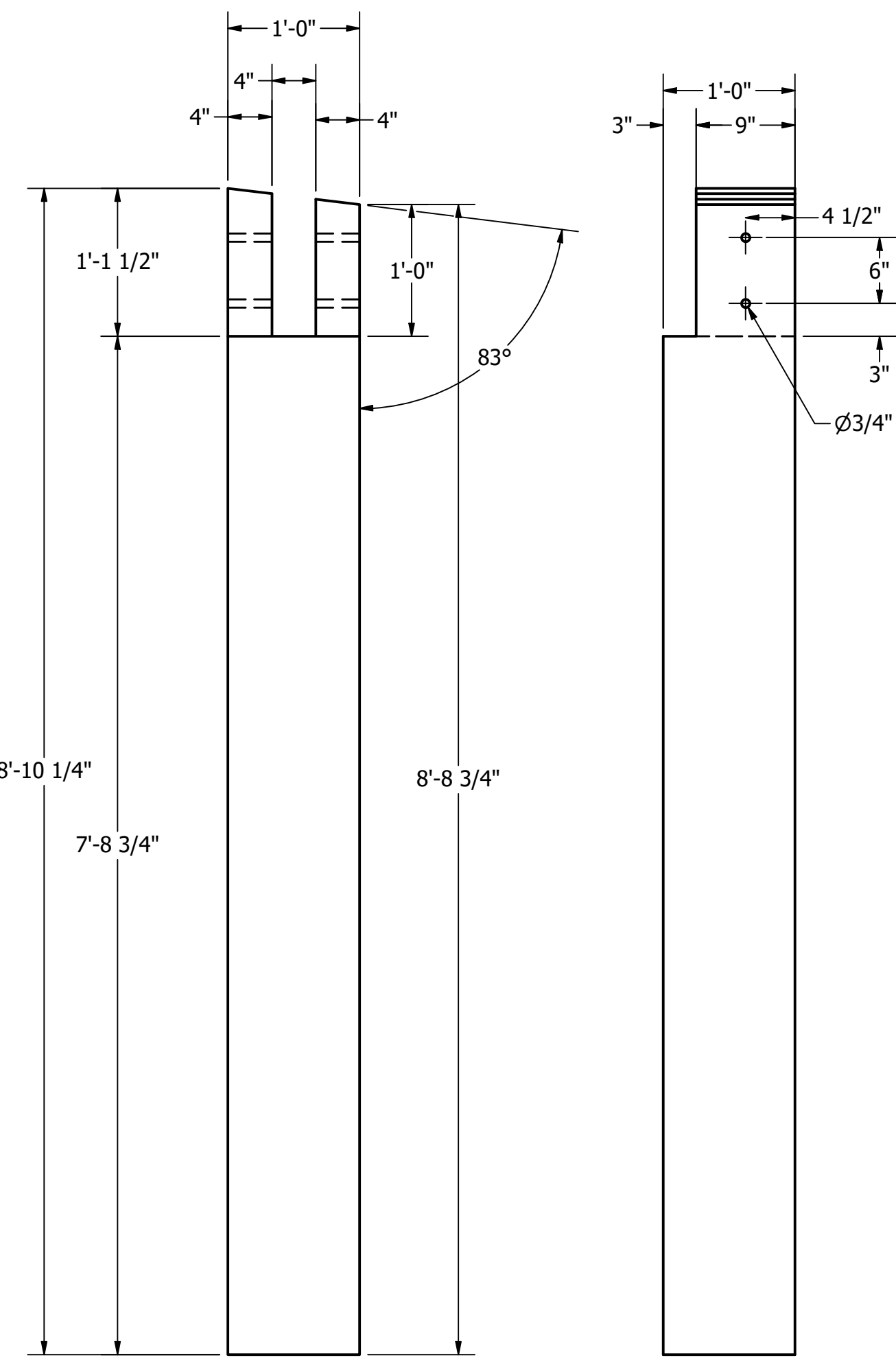
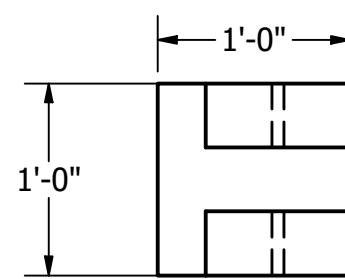


PARTS LIST			
ITEM	QTY	PART NUMBER	DESCRIPTION
1	2	POST & BEAM	
2	1	Part4	
3	1	Part5	
4	2	Part6	
5	2	Part7	
6	2	Part8	
7	20	Part9	
8	21	Part10	

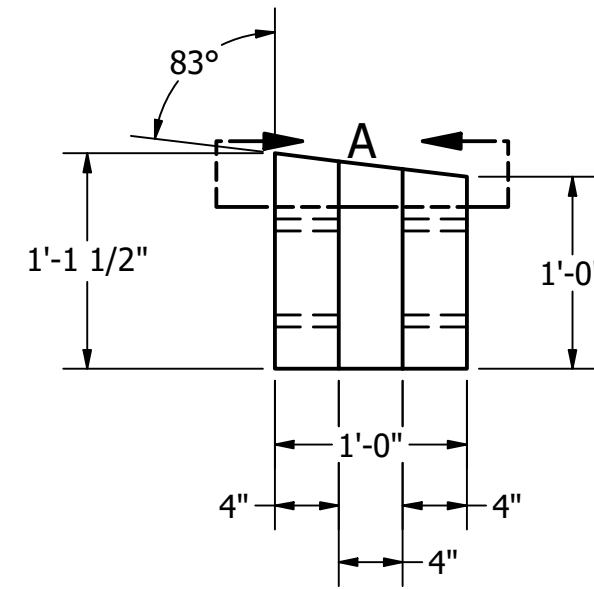
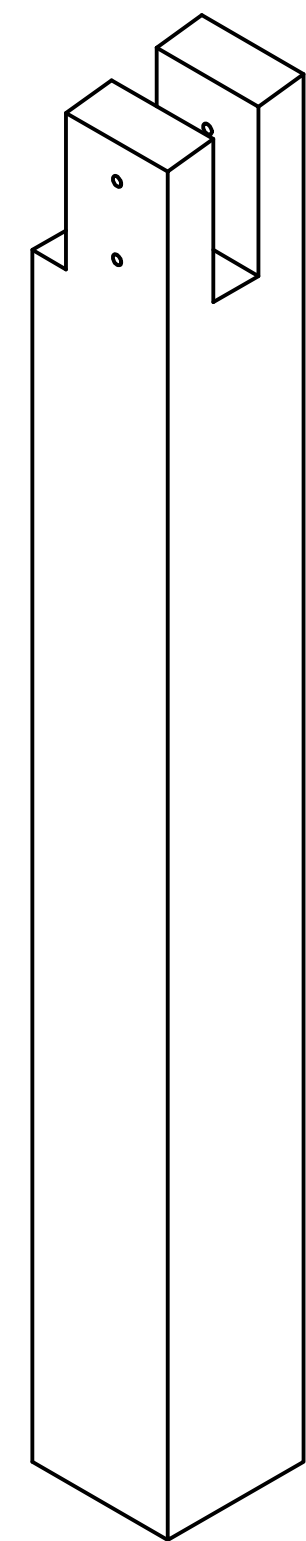
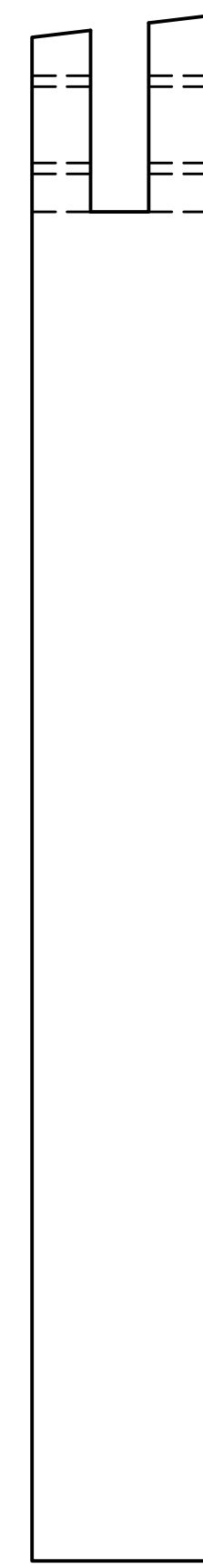


FRONT
SCALE 1/2"=1'

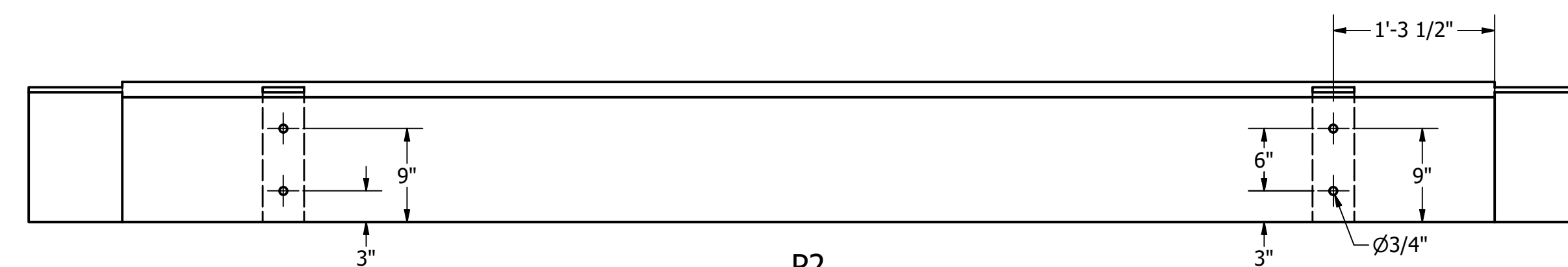
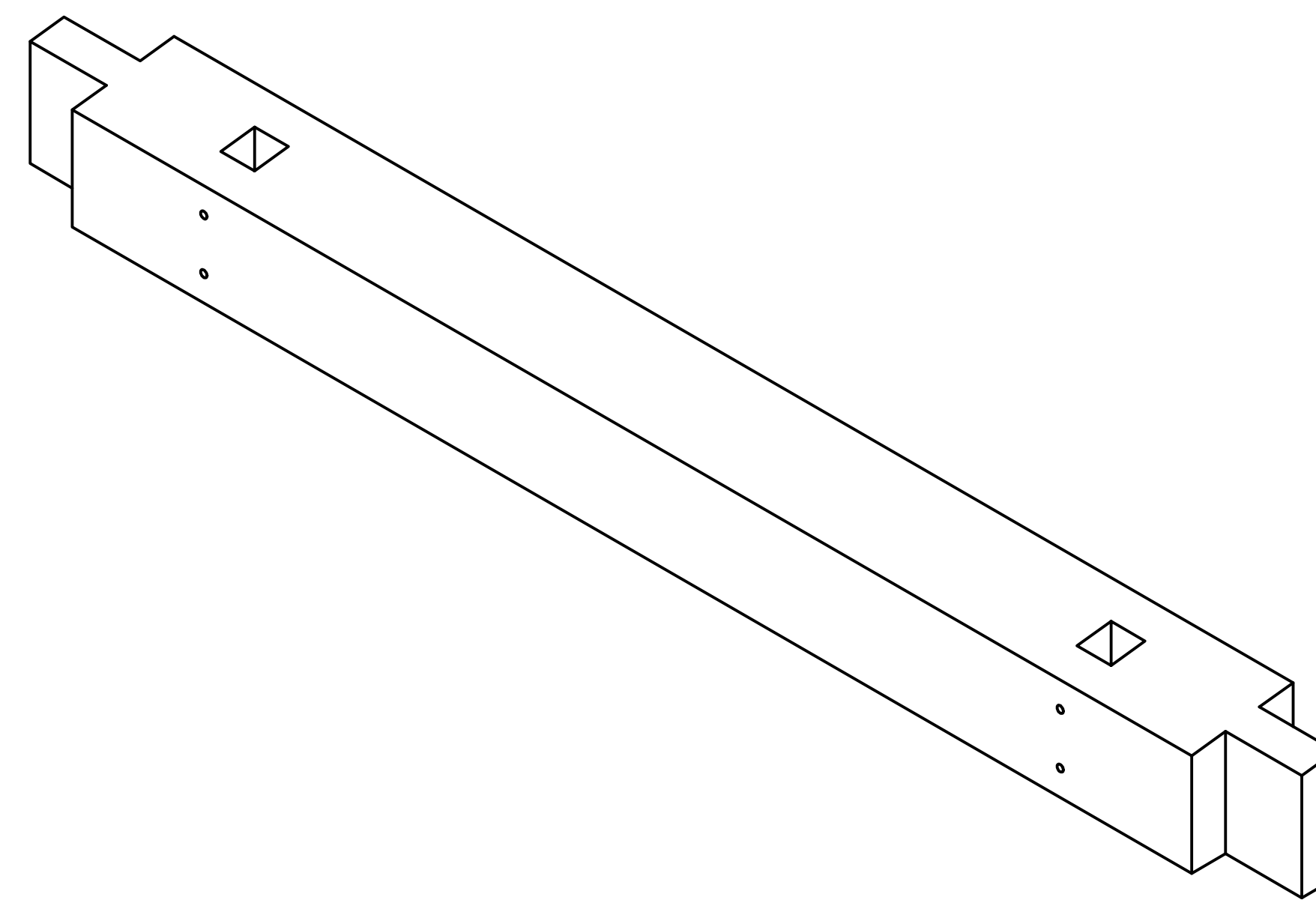
DRAWN Scott Lunsford	1/26/2024	DIMENSIONS		
CHECKED		TITLE		
QA				
MFG				
APPROVED				
		SIZE 24 x 36 (inches)	DWG NO HIPPIE BLISS	REV
		SCALE 1/2"=1'		SHEET 1 OF 6



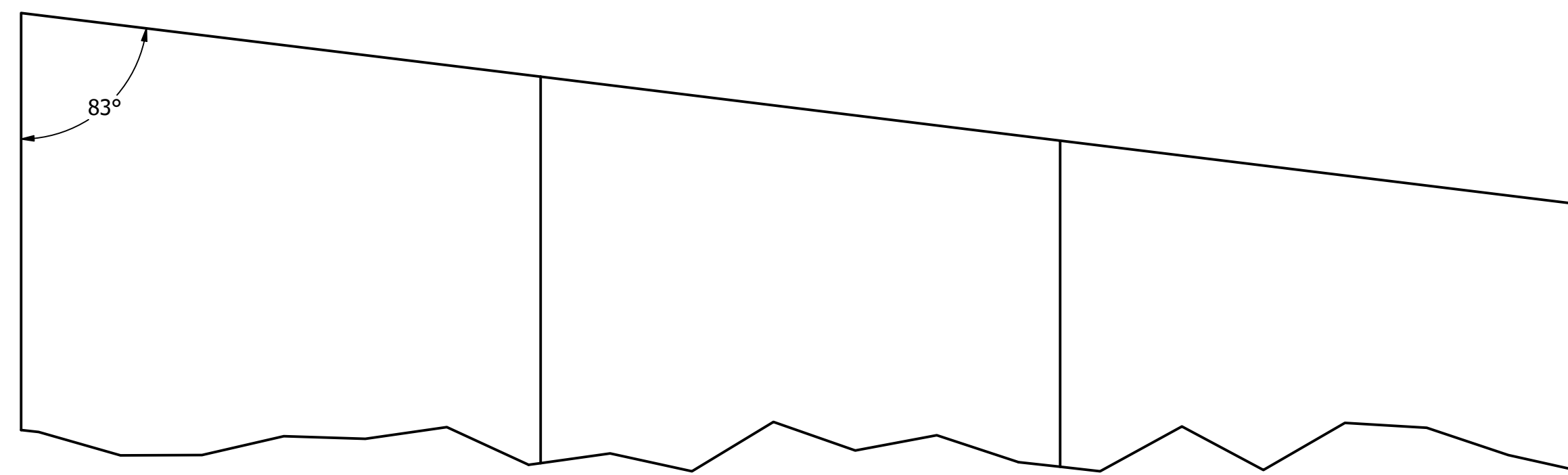
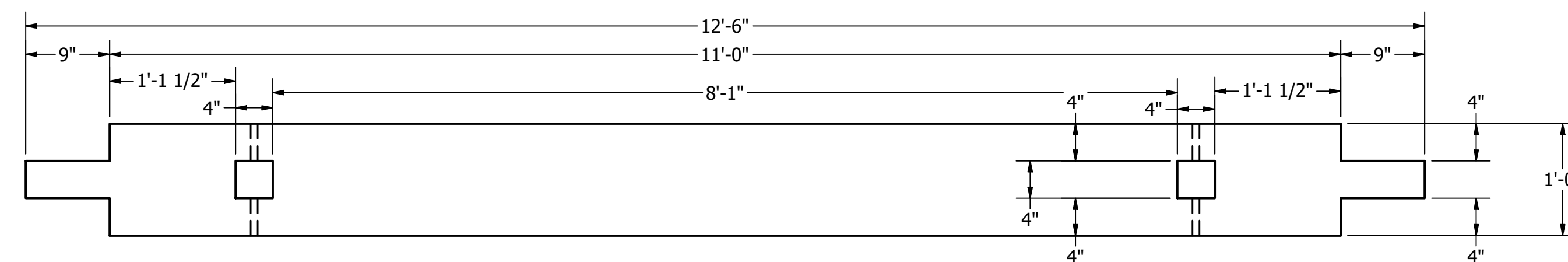
P1
SCALE 1"=1'
2 TOTAL



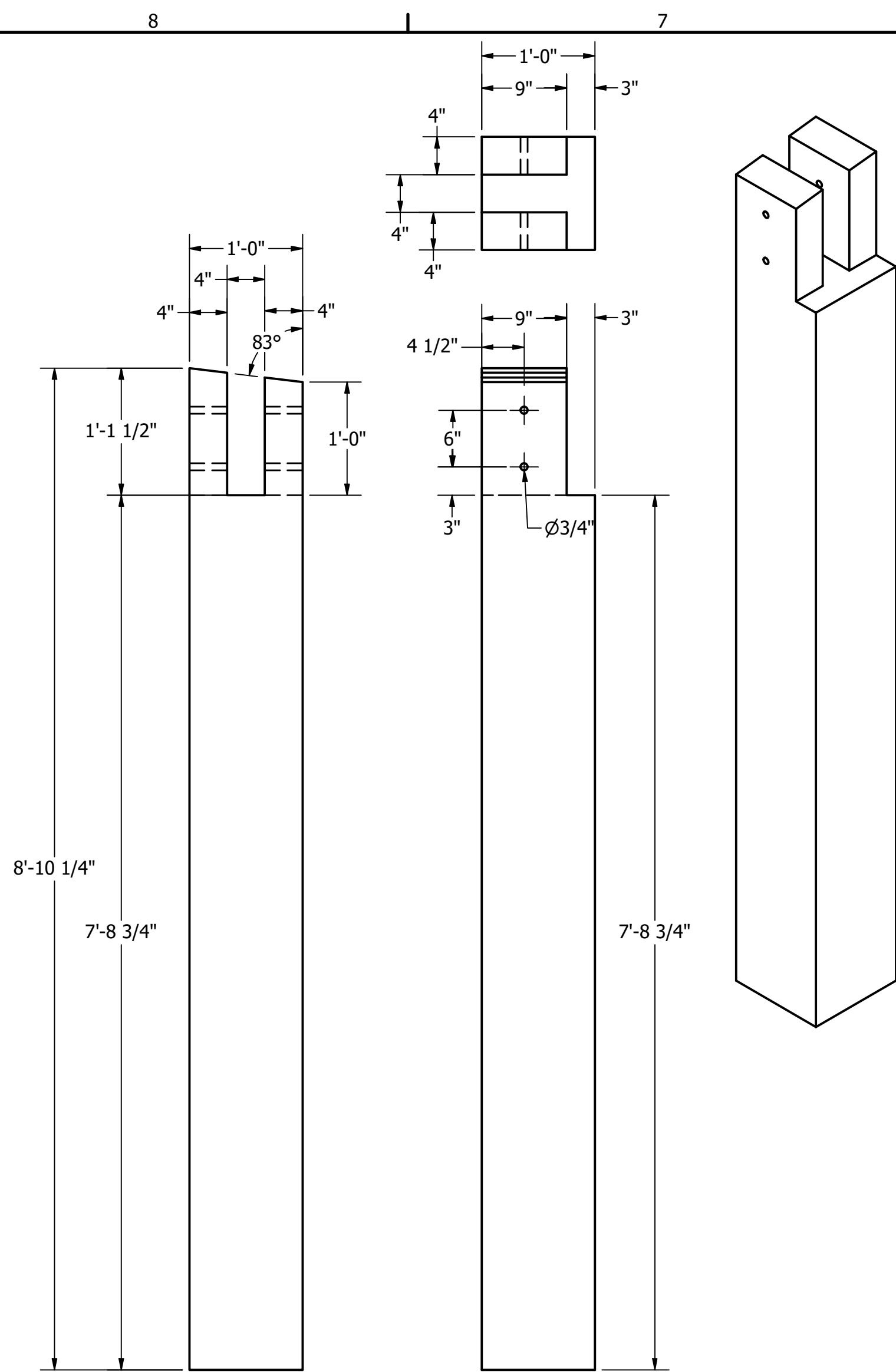
DETAIL A
SCALE 1:1



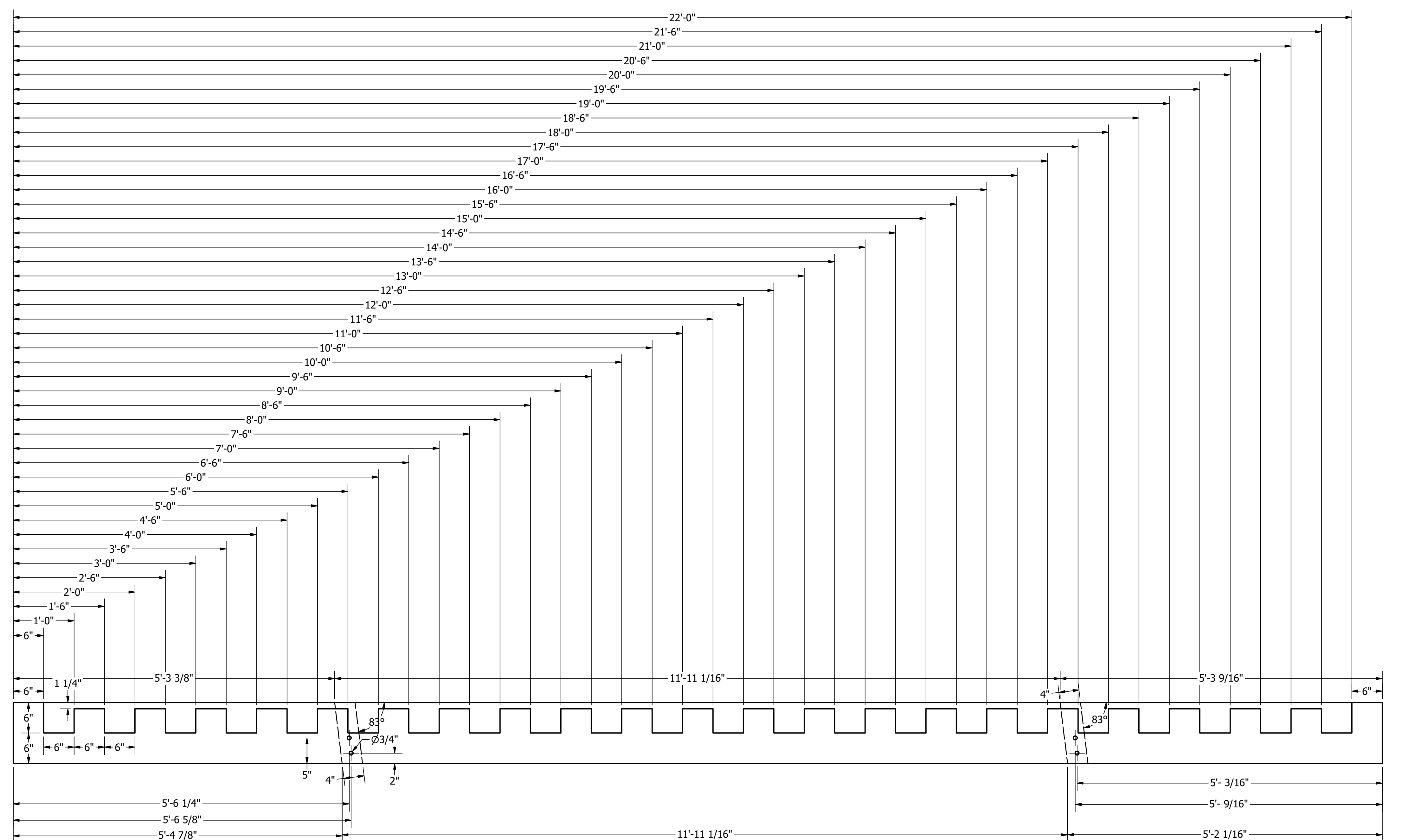
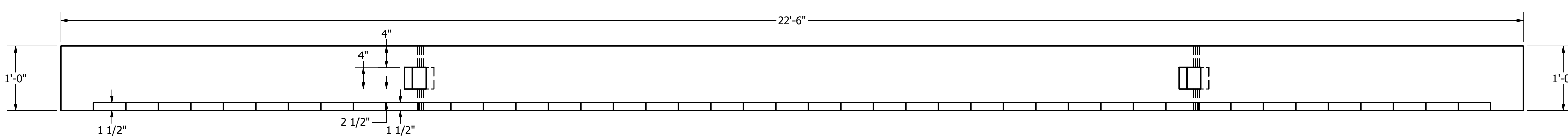
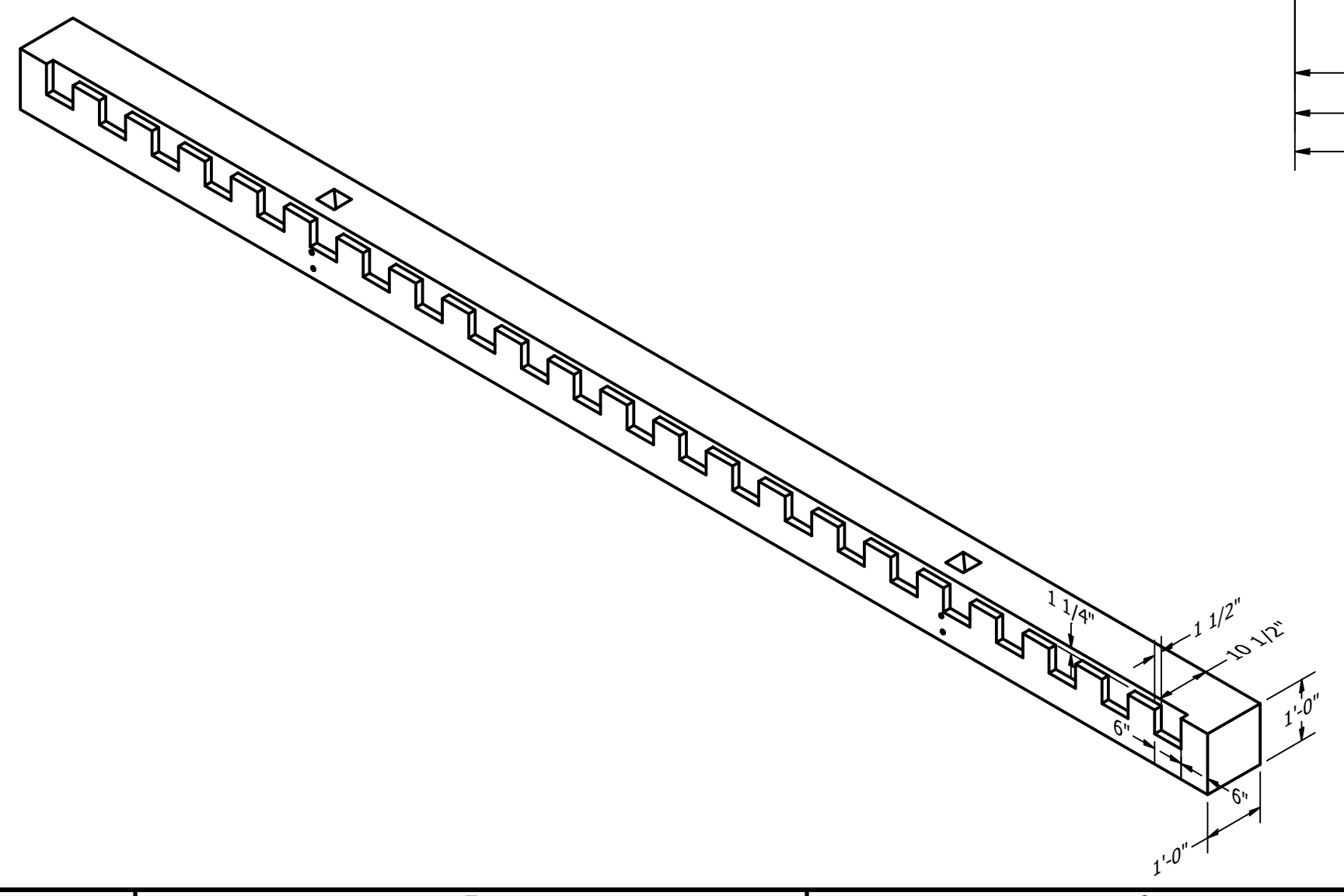
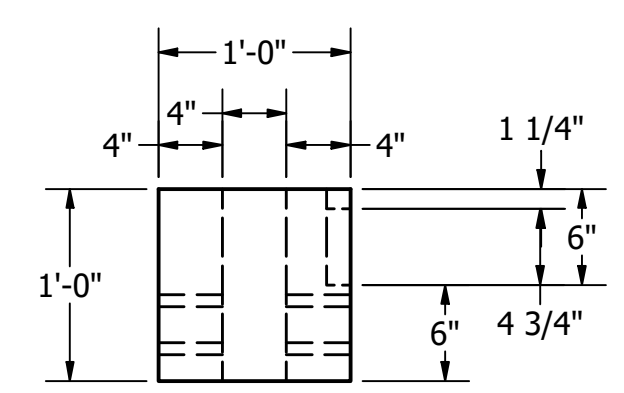
P2
SCALE 1"=1'
2 TOTAL



DRAWN	Scott Lunsford	1/26/2024	PARTS		
CHECKED			TITLE		
QA			DWG NO		
MFG			HIPPIE BLISS		
APPROVED			REV		
			SIZE	24 x 36 (inches)	
			SCALE	1"=1'	SHEET 2 OF 6

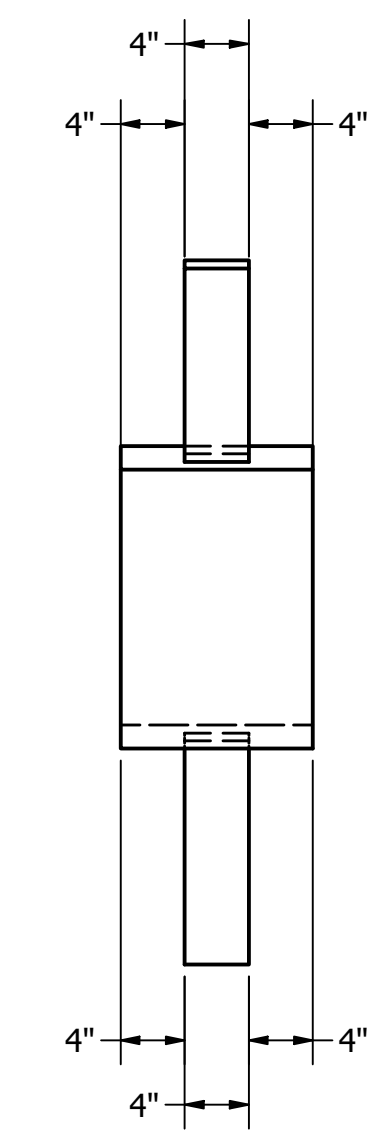
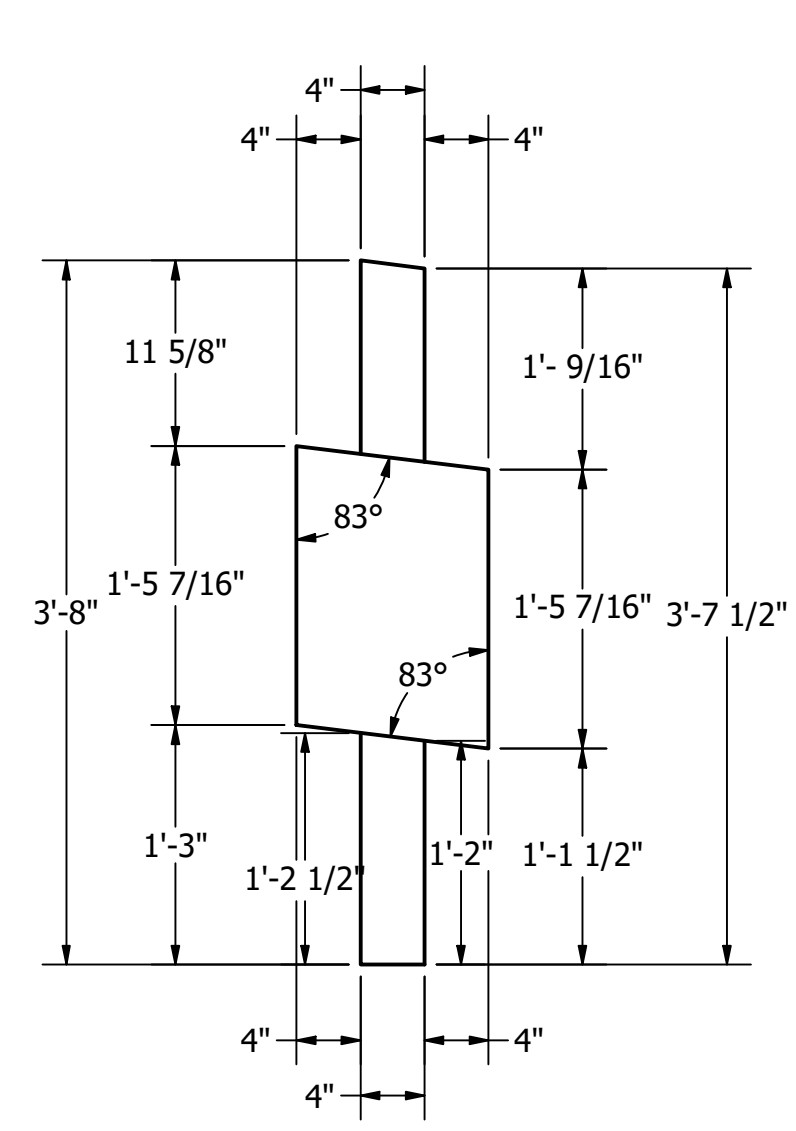
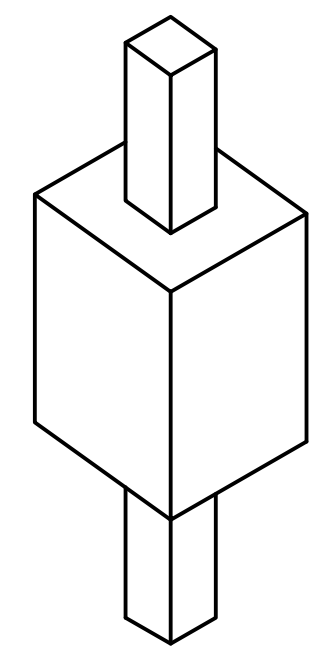
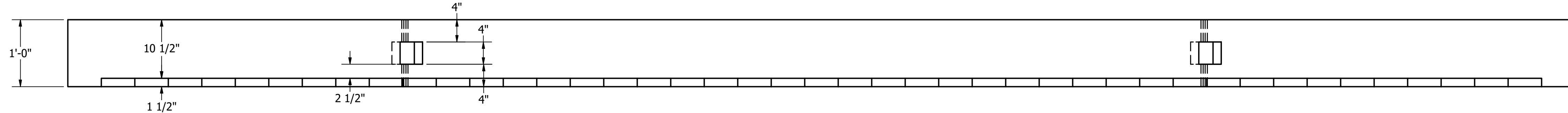
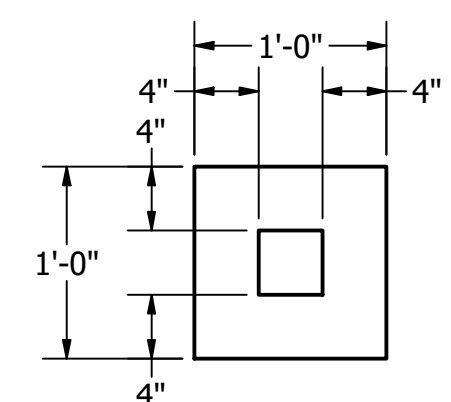


P3
SCALE 1"=1'
2 TOTAL

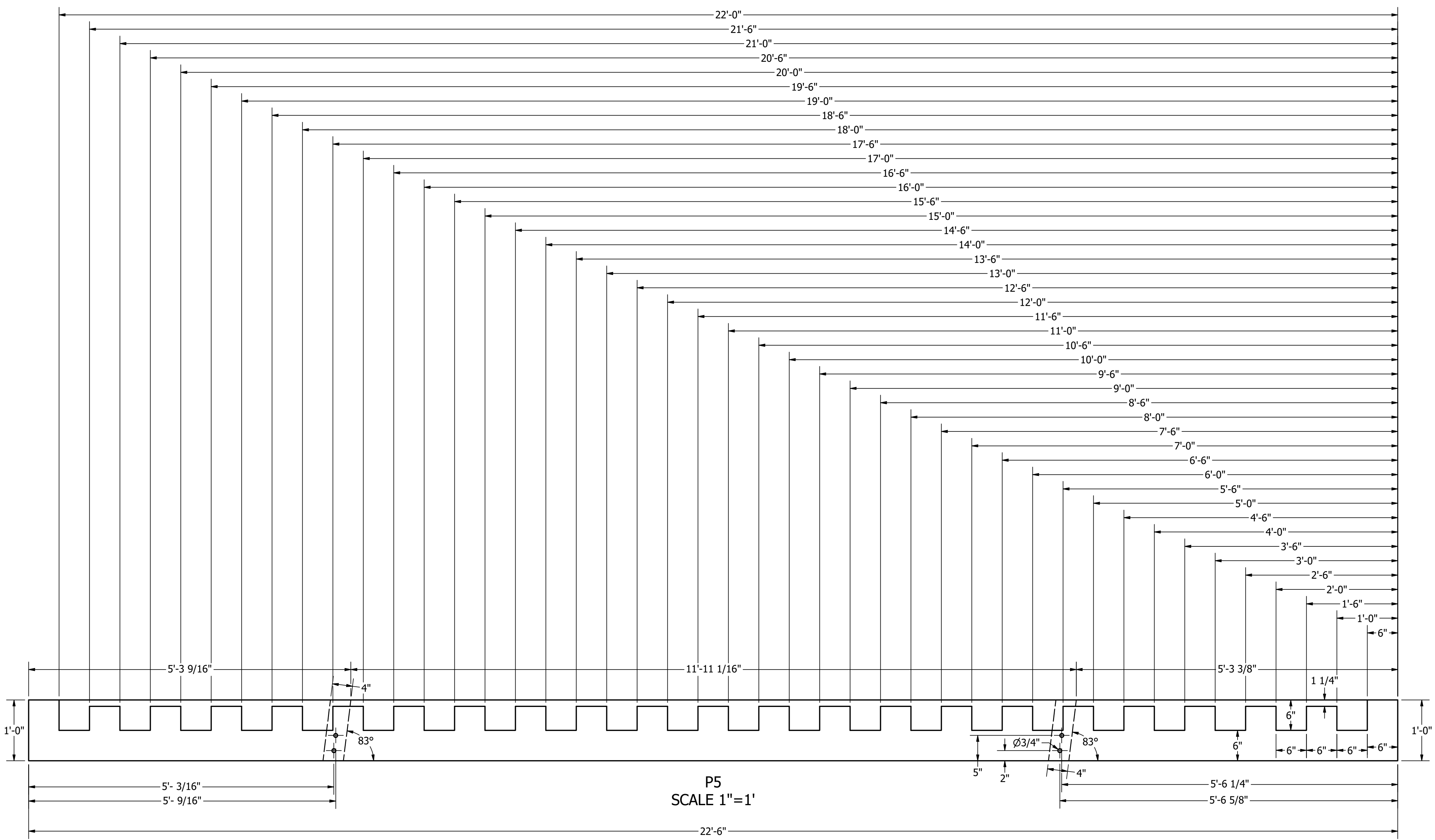
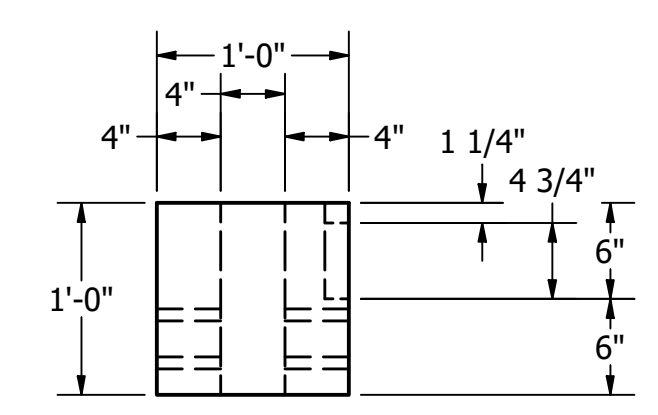
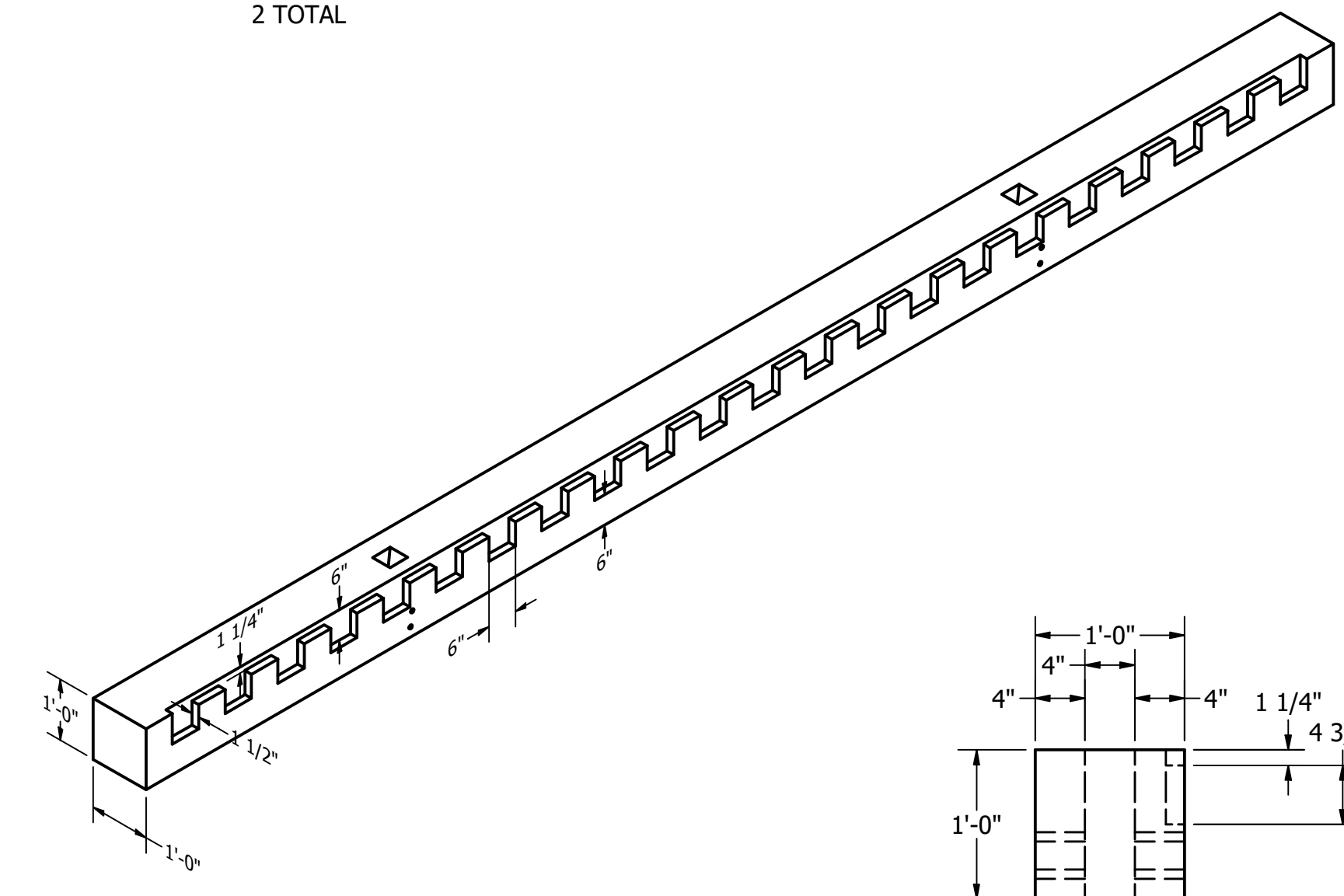


P4
SCALE 1"=1'
TOTAL

DRAWN	Scott Lunsford	1/26/2024	PARTS		
CHECKED			TITLE		
QA					
MFG					
APPROVED					
		SIZE	DWG NO	REV	
		24 x 36 (inches)	HIPPIE BLISS		
		SCALE	1"=1'	SHEET 3 OF 6	

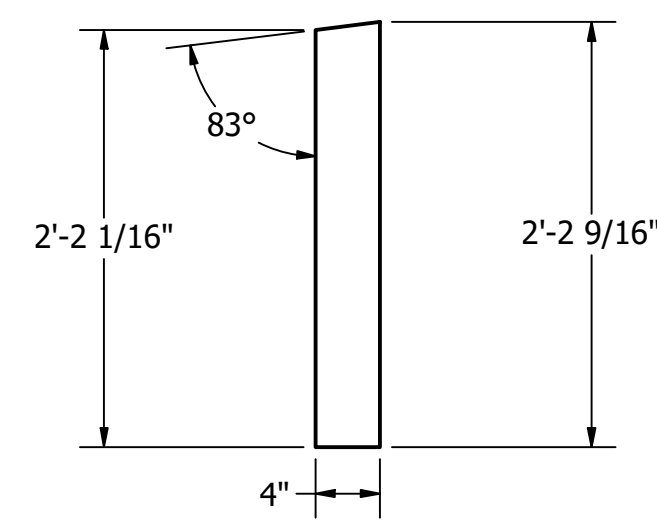
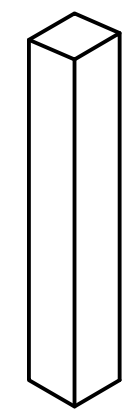
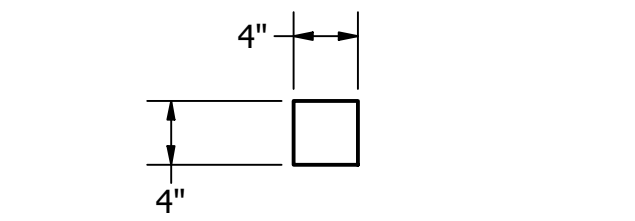


P6
SCALE 1"=1'
2 TOTAL

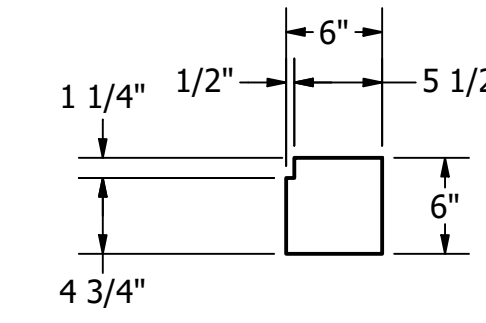
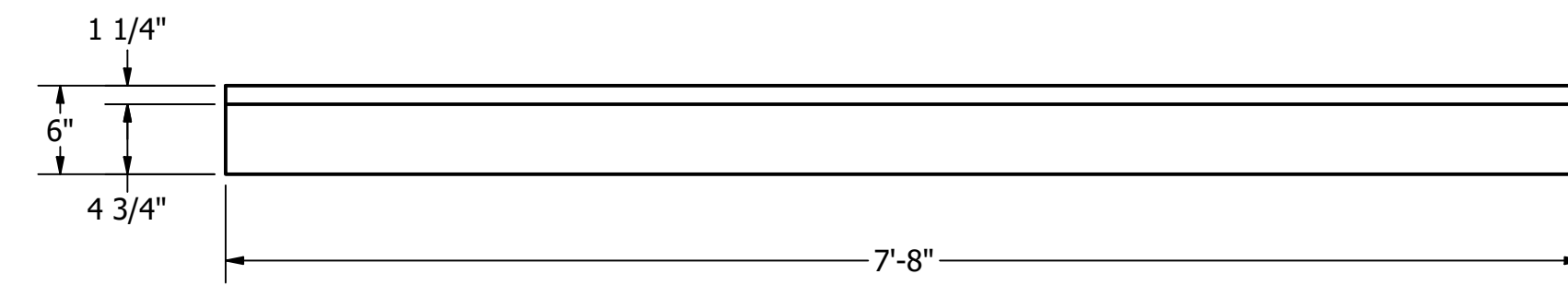
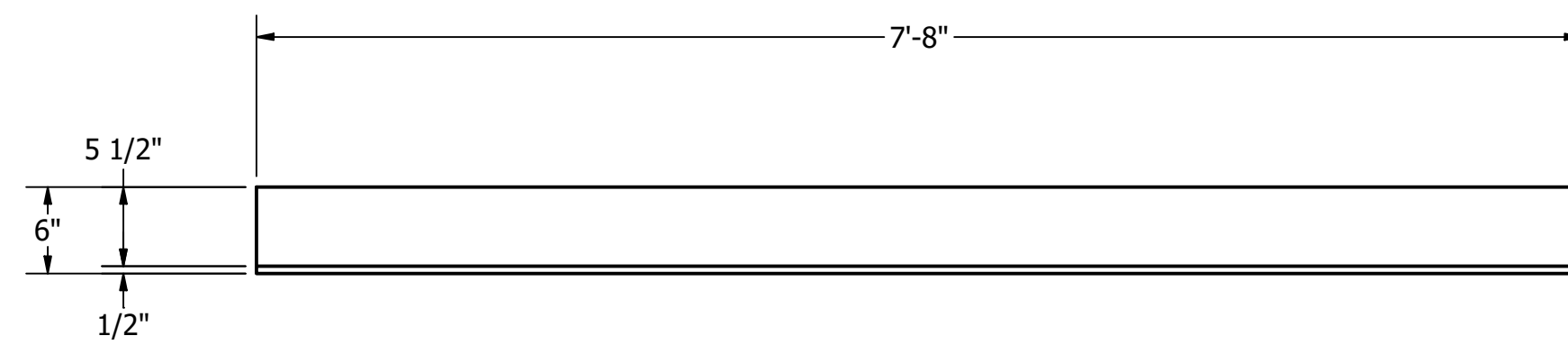


P5
SCALE 1"=1'

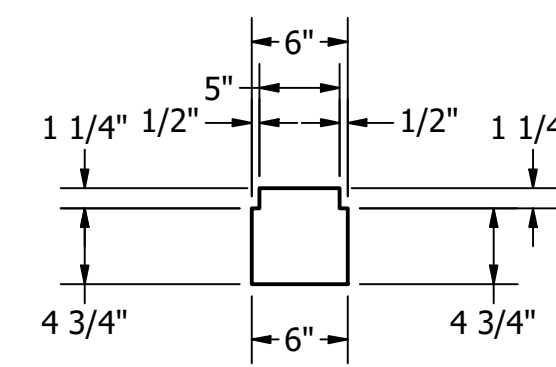
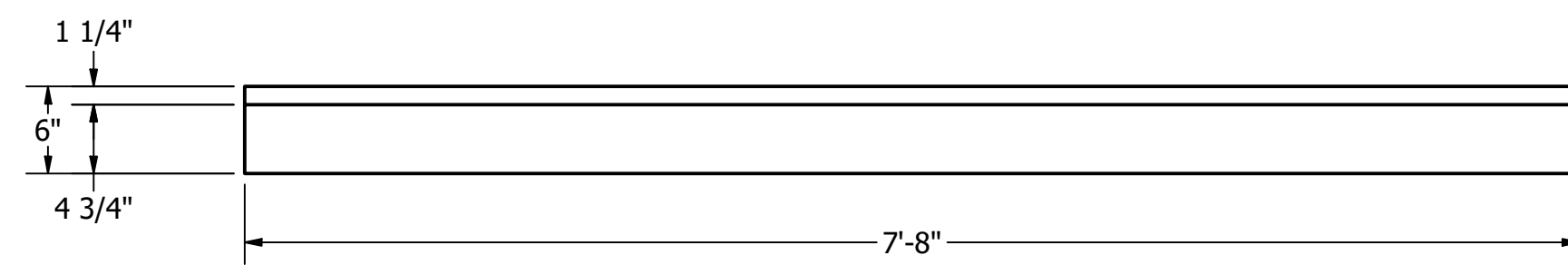
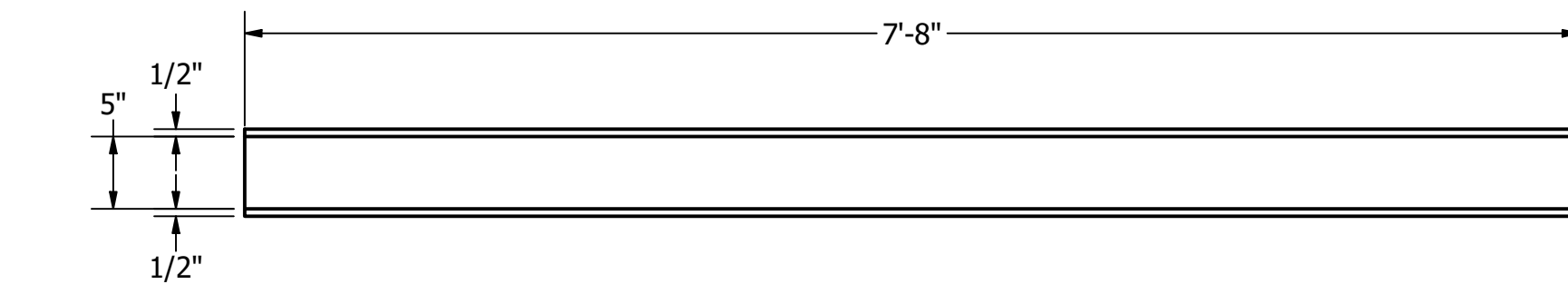
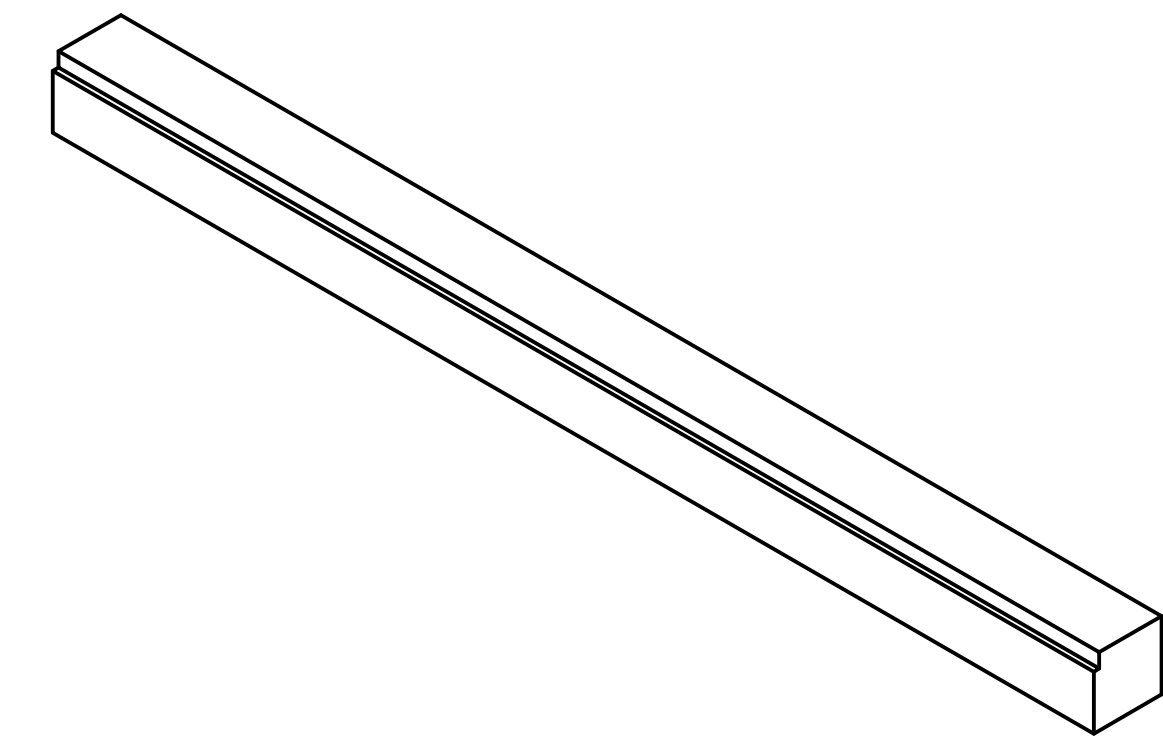
DRAWN	1/26/2024	PARTS	
SCOTT LUNSFORD		TITLE	
CHECKED		MFG	
QA		APPROVED	
MFG		SIZE	DWG NO
APPROVED		24 x 36 (inches)	HIPPIE BLISS
		SCALE	1"=1'
			SHEET 4 OF 6



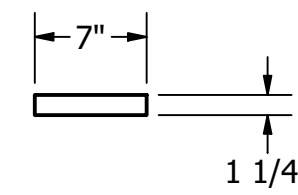
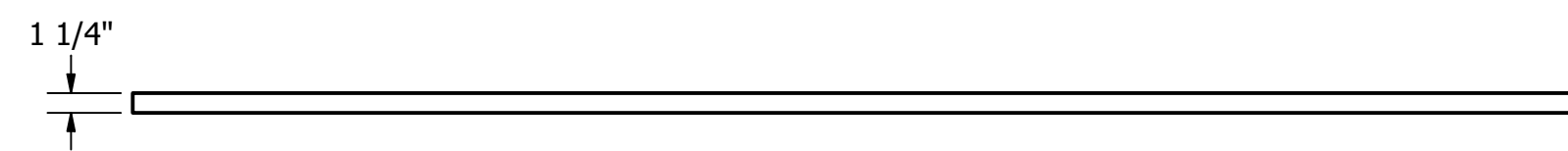
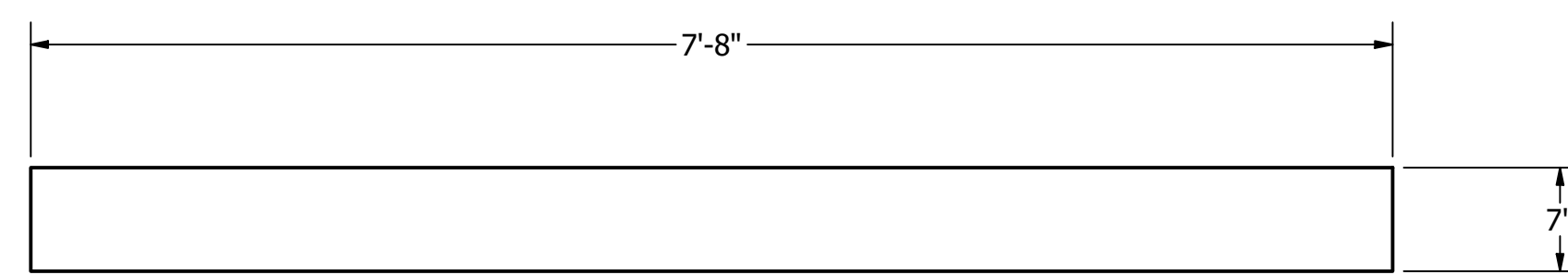
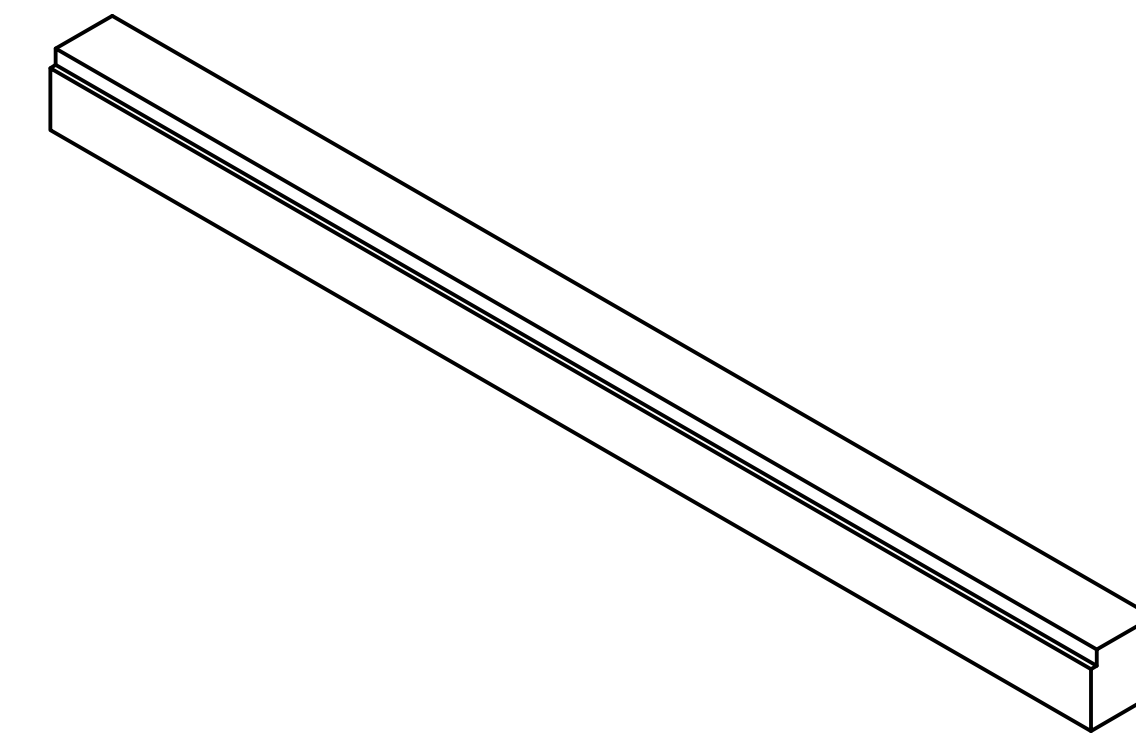
P7
SCALE 1"=1'
2 TOTAL



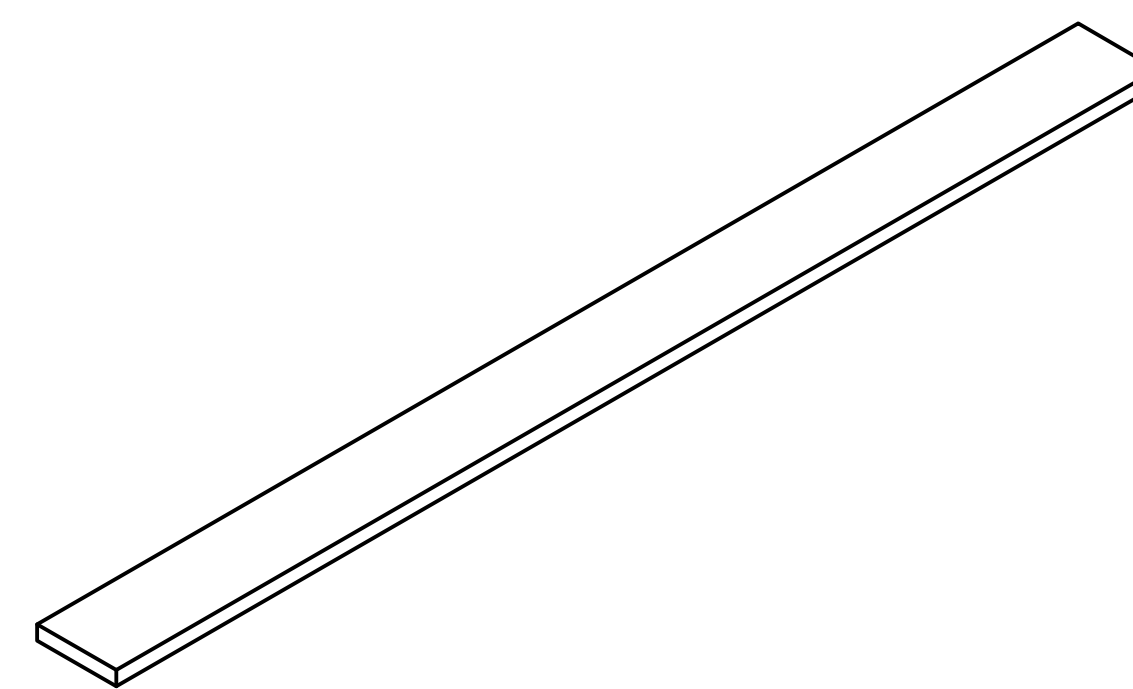
P8
SCALE 1"=1'
2 TOTAL



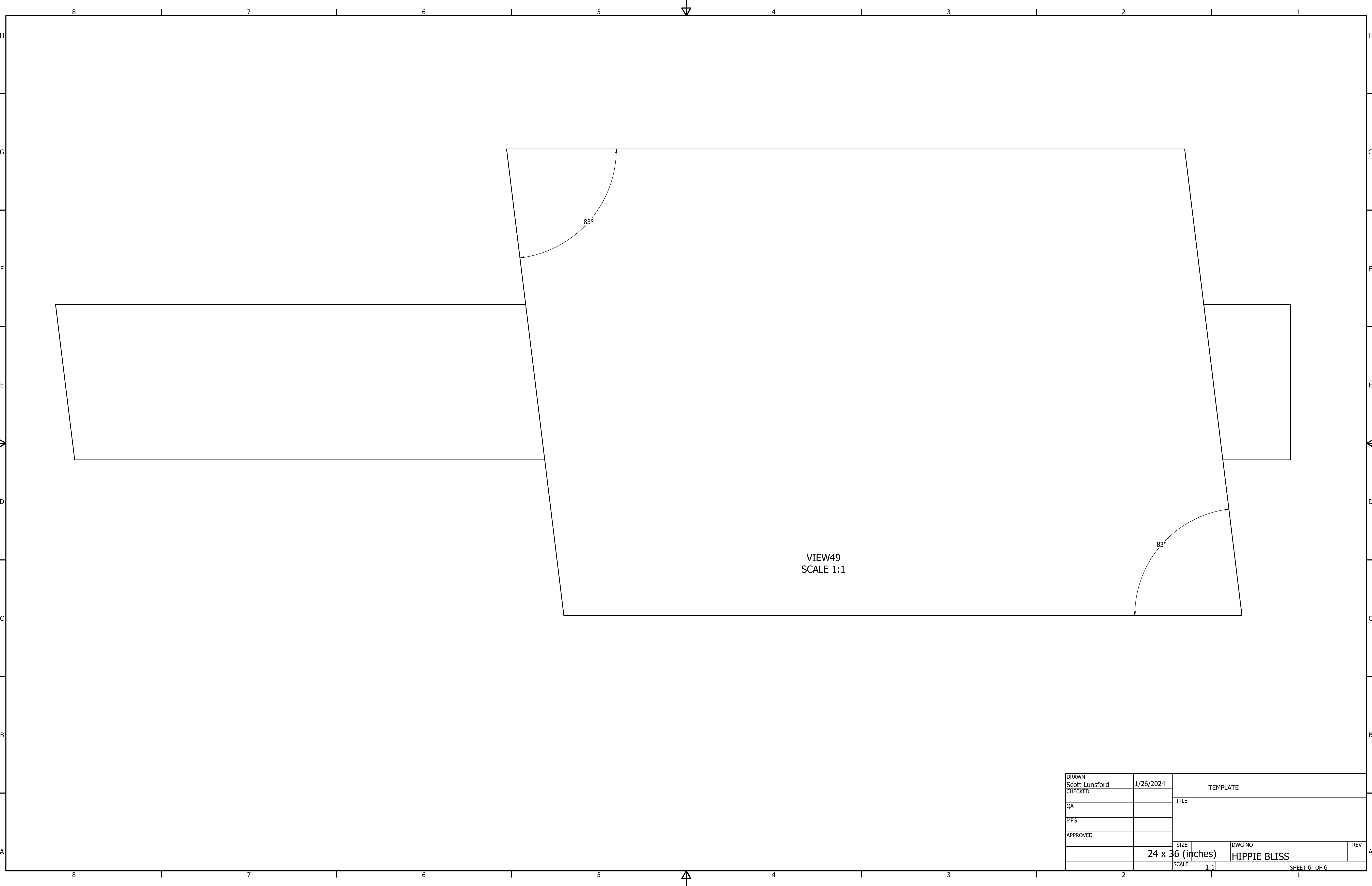
P9
SCALE 1"=1'
20 TOTAL



P10
SCALE 1"=1'
21 TOTAL



DRAWN	Scott Lunsford	1/26/2024			
CHECKED			TITLE		
QA					
MFG					
APPROVED					
			SIZE	DWG NO	REV
			24 x 36 (inches)	HIPPIE BLISS	
			SCALE	1"=1'	SHEET 5 OF 6



DRAWN	1/26/2024	TEMPLATE		
Scott Lunsford		TITLE		
CHECKED		TITLE		
QA		TITLE		
MFG		TITLE		
APPROVED		TITLE		
		SIZE	DWG NO	REV
		24 x 36 (inches)	HIPPIE BLISS	
		SCALE	1:1	SHEET 6 OF 6